



Sillette Marine

Suppliers & Manufacturers of:
2025

- Propellers
- Sterngear
- Couplings
- Bearings
- Shafts
- Seals

GORI PROPELLER
experience the difference

Index

Anodes.....	28
Brass Key Material.....	27
Brass Tube.....	27
Couplings R & D.....	32, 33
Cuttless Bearings.....	9, 10
Engine Mounts R & D.....	34
Fasteners & Fixings Misc.....	29, 30, 31
Gori Propellers - see propellers.....	23, 23, 24, 25, 26
GRP Tube.....	27
Inboard Bearing Flexible glands.....	12
Inboard Bearing Rigid glands.....	11
Inboard Flange for PSS/Tides Seal etc.....	11
Order/Enquiry Form for new or replacement propellers.....	43
Outboard Bearing Water Scoop.....	13
P Brackets - Radice.....	12
Prop Protector, Rope and Weed Cutter.....	45, 46
Propeller Shafts.....	3, 4
Propeller Sizing & Order Form.....	43
Propellers Fixed Blade Bronze - Radice.....	14, 15, 16, 17
Propellers Folding 2 & 3 Blade - Gori.....	23, 23, 24, 25, 26
Propellers Folding 2 Blade - Radice.....	20, 21
Propellers Saildrive 2 & 3 Blade Aluminium - Radice.....	20, 21
Propellers Stern Drives 3 Blade Aluminium - Radice.....	20, 21
P.S.S. Shaft Seals.....	38, 39
R and D Marine Products.....	32, 33, 34
Radice Propellers - see propellers.....	14, 15, 16, 17, 18, 19, 20, 21
Shaft Couplings.....	32, 33
Shaft Nuts.....	30
Shaft Seal PSS.....	38, 39
Shaft Seal - RMTA Radice.....	35
Shaft Seals - Deep Sea.....	35
Shaft Seals- Tides Marine "Sureseal".....	37
Shaft Seals - Tides Marine "Series One".....	36
Shaft Seals - Lasdrop	40, 41, 42, 43, 44
Stern Gland Lubricators.....	29
Stern Gland Packing.....	29
Stern Tube Complete Assemblies.....	6, 7, 8
Stern Tube Components.....	6
Hydro Axe Rope Cutters.....	47
Tides Marine Shaft Seals.....	36, 37
Yanmar Sail Drive Propeller Fastenings.....	31

Propeller Shafts (inches)

Our propeller shafts can be manufactured from bright ground 316 or F51 Duplex Stainless Steel, as available, and supplied in metric or imperial sizes. These shafts can be machined with either 1:10, 1:12 or 1:16 tapers as standard. They are supplied with key, nut and split pin ready for installation, The inboard end can be machined to your specification at extra cost or left blank. 1:14 and 1:20 tapers carry a £25 surcharge and completely non-standard tapers have a higher surcharge, which will be advised at time of order.

Specify diameter "D", overall length "L", taper, and additional requirements when ordering.

All shafts are precision straightened

IMPERIAL SHAFTS: Based on 3ft/ 914 mm overall length 'L', includes Key, BSF, Nut & Split Pin:						
SHAFT diameter 'D'	Dimensions in inches			SINGLE TAPER 1 IN 12	EXTRA PER 12 inches / 305mm UPTO 10ft O/A	EXTRA FOR DOUBLE TAPER
	h	i	k			
¾"	1 ¾"	1"	.188	£178.00	£20.00	£67.00
⅞"	1 ⅞"	1"	.188	£190.00	£25.00	£67.00
1"	2 ⅛"	1 ¼"	.250	£185.00	£27.00	£67.00
1 ⅛"	2 ¾"	1 ¼"	.250	£236.00	£55.00	£71.00
1 ¼"	3"	1 ¼"	.313	£260.00	£46.00	£87.00
1 ½"	3 ⅛"	1 ⅜"	.375	£351.00	£65.00	£123.00
1 ¾"	4 ¼"	1 ⅞"	.438	£408.00	£88.00	£131.00
2"	4 ⅞"	2 ¾"	.500	£504.00	£114.00	£136.00
2 ¼"	5 ¼"	2 ⅞"	.625	£POA	£POA	£POA
2 ½"	5 ¾"	2 ¾"	.625	£POA	£POA	£POA
2 ¾"	6 ¾"	2 ¾"	.750	£POA	£POA	£POA
3"	7 ¾"	2 ¾"	.750	£POA	£POA	£POA

Propeller Shafts (millimeters)

All shafts are precision straightened

METRIC SHAFTS: Based on 1000 mm overall length 'L'. Includes Key, Metric Nut and Split Pin:

SHAFT diameter 'd'	Dimensions in mm			SINGLE TAPER 1 IN 10	EXTRA PER 300mm	EXTRA FOR DOUBLE TAPER
	h	i	k			
20mm	45	25	6	£173.00	£22.00	£67.00
22mm	47	25	6	£228.00	£36.00	£67.00
25mm	55	25	6	£186.00	£27.00	£67.00
30mm	75	30	8	£260.00	£43.00	£71.00
35mm	85	35	10	£321.00	£57.00	£87.00
40mm	95	35	12	£340.00	£73.00	£123.00
45mm	105	40	14	£445.00	£93.00	£131.00
50mm	115	45	14	£487.00	£132.00	£136.00

Cost of keying parallel shaft and supply parallel key	$\frac{3}{4}$ "/20mm to $1\frac{1}{2}$ "/35mm.	Shaft dia - extra £43.00
	$1\frac{3}{4}$ "/40mm to 2"/50mm.	Shaft dia - extra £63.00
Notches for BUKH coupling inboard - £33		

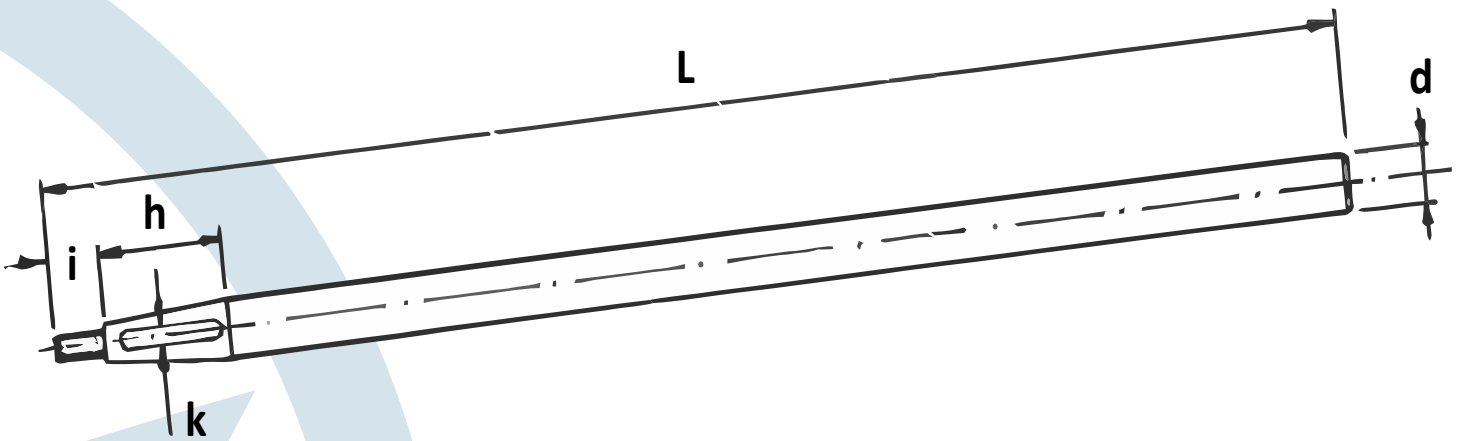
The above prices are for shafts up to 3 mtrs/10 ft: Longer lengths subject to individual quotation, as are, different tapers and special requirements. Sizes and specifications may vary, surcharges may apply, check when ordering.

Duplex Material add 10% to shaft costs.

Boxes can be supplied for transport / export.

Note: All above prices are based on current costs, these may be amended in the case of escalating material prices, please check before ordering.

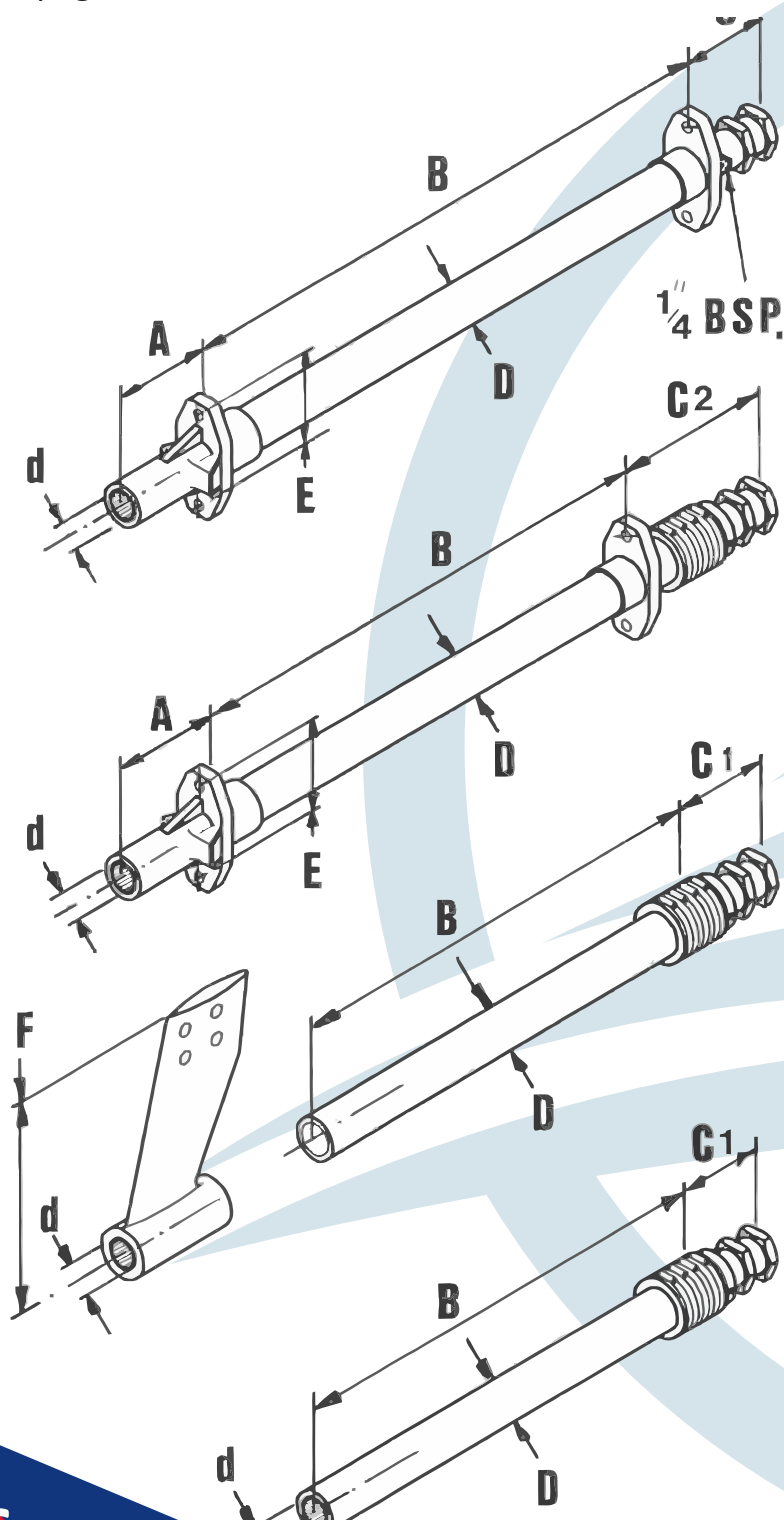
POA= Price on application. SHAFT STRAIGHTENING FROM £80



How to order your stern tube assembly

1. Select the stern tube assembly from types 1, 3, 4 & 5.
2. Specify shaft diameter 'd'.
3. Specify length 'B'.
4. Specify length 'A' if different to standard, see table on page 7.
5. Specify PSS seal, Tides Marine seal or traditional type gland as drawn below.

Please note dimensions C, C1 and C2 are for guidance only and relate to traditional type gland. See page 38 for PSS seal dimensions.



TYPE 1

Water scoop outboard bearing, brass tube, fixed flange inboard, nut type traditional gland. (Stud type over 1 $\frac{3}{8}$ " 135mm)

TYPE 3

Water scoop outboard bearing, brass tube, inboard mounting flange, flexible inboard bearing, nut type traditional gland. PSS seal or Tides Marine seal (Stud type over 1 $\frac{3}{8}$ " 135mm)

TYPE 4

Plain Epoxy Glass tube & flexible nut type traditional gland or PSS seal or Tides Marine seal. (Stud type over 1 $\frac{3}{8}$ " 135mm) 'P' Strut and cutlass bearing (see separate listing for further detail) can be used with 'A' bracket etc.

TYPE 5

Epoxy Glass tube with cutlass bearing outboard, flexible inboard bearing and nut type traditional gland or PSS seal or Tides Marine seal. (Stud type over 1 $\frac{3}{8}$ " 35mm)

Type 1

for Shaft diameter 'd'		A		C		D		E		With traditional type stuffing gland	'B' Dimension Extra per"
for Shaft diameter 'd'		A		C		D		E		'B' Dimension at 12" - 305mm	12" - 305mm
7/8"	22mm	4 1/2"	114	3 1/4"	84	1 1/2"	38	4"	102	£693.00	£48.00
1"	25mm	5"	125	3 1/4"	84	1 1/2"	38	4"	102	£710.00	£48.00
1 1/8"		5 1/4"	135	3 1/4"	84	1 3/4"	45	4"	102	£735.00	£54.00
1 1/4"	30mm	6"	150	3 1/2"	90	1 3/4"	45	4 1/2"	114	£750.00	£54.00
1 3/8"	35mm	6 1/4"									
1 1/2"	40mm	7 1/2"	188	3 1/2"	90	2"	51	5"	127	£995.00	£66.00
1 3/4"	45mm	7 1/2"	188	3 1/2"	90	2 1/2"	64	5"	127	£1075.00	£94.00

Type 3

for Shaft diameter 'd'		A		C2		D		E		With traditional type stuffing gland	PSS Seal	Tides Marine Seal	'B' Dimension Extra per"
for Shaft diameter 'd'		A		C2		D		E		B' Dimension at 12" - 305mm			12" - 305mm
7/8"	22mm	4 1/2"	114	3 1/4"	84	1 1/2"	38	4"	102	£718.00	£890.00	£775.00	£48.00
1"	25mm	5"	125	3 1/4"	84	1 1/2"	38	4"	102	£750.00	£900.00	£775.00	£48.00
1 1/8"		5 1/4"	135	3 1/4"	84	1 3/4"	45	4"	102	£760.00	£910.00	£797.00	£54.00
1 1/4"	30mm	6"	150	3 1/2"	90	1 3/4"	45	4 1/2"	114	£775.00	£995.00	£819.00	£54.00
1 3/8"	35mm	6 1/4"											
1 1/2"	40mm	7 1/2"	188	3 1/2"	90	2"	51	5"	127	£1325.00	£1350.00	£1322.00	£66.00
1 3/4"	45mm	7 1/2"	188	3 1/2"	90	2 1/2"	64	5"	127	£1425.00	£1356.00	£1356.00	£94.00

Type 4

for Shaft diameter 'd'		C1		D		F		TYPE4 B Dim'n Extra for 25 to 48" 611 to 1220 mm	With traditional type stuffing gland	PSS Seal	Tides Marine Seal	P Bracket and Bearing
									'B' Dimension up to 24" - 610mm	'B' Dimension at 24" - 610mm		
7/8"	22mm	4"	102	1 3/4"	44	10"	254	£69.00	£330.00	£430.00	£320.00	£415.00
1"	25mm	4"	102	1 3/4"	44	15 3/4"	400	£69.00	£330.00	£450.00	£320.00	£415.00
1 1/8"		4"	102	2"	51	15 3/4"	400	£80.00	£400.00	£470.00	£360.00	£415.00
1 1/4"	30mm	4 3/4"	122	2 1/4"	57	15 3/4"	400	£86.00	£470.00	£470.00	£370.00	£632.00
1 3/8"	35mm	4 3/4"	122	2 1/2"	64	17 3/4"	450	£97.00	£490.00	£490.00	£532.00	£788.00
1 1/2"	40mm	5 1/4"	135	2 1/2"	64	17 3/4"	450	£97.00	£670.00	£710.00	£659.00	£972.00
1 3/4"	45mm	5 1/4"	135	3"	76	21 3/4"	450	£97.00	£750.00	£760.00	£695.00	£1498.00

Type 5

for Shaft diameter 'd'		C1		D		TYPE4 B Dim'n Extra for 25 to 48" 611 to 1220 mm	With traditional type stuffing gland	PSS Seal	Tides Marine Seal		
							'B' Dimension up to 24" - 610mm	'B' Dimension upto 24" - 610mm			
7/8"	22mm	4"	102	1 3/4"	44		£69.00	£399.00	£470.00	£356.00	
1"	25mm	4"	102	1 3/4"	44		£69.00	£399.00	£500.00	£373.00	
1 1/8"		4"	102	2"	51		£80.00	£488.00	£540.00	£435.00	
1 1/4"	30mm	4 3/4"	122	2 1/4"	57		£86.00	£534.00	£618.00	£423.00	
1 3/8"	35mm	4 3/4"	122	2 1/2"	64		£97.00	£583.00	£667.00	£593.00	
1 1/2"	40mm	5 1/4"	135	2 1/2"	64		£97.00	£746.00	£779.00	£703.00	
1 3/4"	45mm	5 1/4"	135	3"	76		£97.00	£866.00	£895.00	£810.00	

Marine Cutless Bearings - Nitrile Rubber Lined

Imperial Sizes					
Shaft	Shell	Length	Brass	Non Metallic	
Dia	Dia.		Price	Price	
3/4"	1 1/4"	3"	£51.00	£34.00	PH
7/8"	1 1/4"	3 1/2"	£84.00	£74.00	PH
7/8"	1 3/8"	3 1/2"	£69.00	£52.00	PH
7/8"	1 1/2"	3 1/2"	£84.00	£74.00	PH
1"	1 1/4"	4"	£53.00	£35.00	PH
1"	1 3/8"	4"	£76.00	£66.00	PH
1"	1 1/2"	4"	£52.00	£44.00	G
1"	1 7/8"	4"		£75.00	G
1 1/8"	1 1/2"	4 1/2"	£84.00	£57.00	PH
1 1/8"	1 5/8"	4 1/2"	£87.00	£113.00	G
1 1/8"	1 3/4"	4 1/2"	£88.00	£59.00	PH
1 1/8"	1 7/8"	4 1/2"	£159.00		G
1 1/4"	1 3/4"	5"	£64.00	£58.00	G
1 1/4"	2"	5"	£72.00	£77.00	G
1 3/8"	1 7/8"	5 1/2"	£93.00	£63.00	PH
1 1/2"	2"	6"	£76.00	£63.00	G
1 1/2"	2 3/8"	6"	£125.00	£72.00	PH
1 5/8"	2 1/8"	6 1/2"	£159.00	£116.00	PH
1 3/4"	2 3/8"	7"	£111.00	£87.00	G
1 3/4"	2 5/8"	7"	£116.00	£126.00	G
2"	2 5/8"	8"	£121.00	£96.00	G
2"	2 3/4"	8"	£181.00	£123.00	G
2"	3"	8"	£196.00	£136.00	G
2 1/4"	3"	9"	£155.00	£111.00	G
2 1/4"	3 1/8"	8"	£235.00	£170.00	G
2 1/2"	3"	10"	£234.00	£166.00	G
2 1/2"	3 1/4"	10"	£191.00	£127.00	G
2 3/4"	3 1/2"	11"	£277.00	£166.00	PH
3"	3 3/4"	12"	£273.00	£209.00	G
3"	4"	12"	£391.00	£279.00	G

Metric Sizes					
Shaft	Shell	Length	Brass	Non Metallic	
Dia.	Dia.		Price	Price	
20mm	35mm	80mm	£98.00	£74.00	PH
22mm	35mm	88mm	£98.00	£74.00	PH
25mm	40mm	100mm	£52.00	£45.00	G
30mm	40mm	120mm	£84.00	£58.00	PH
30mm	45mm	120mm	£64.00	£55.00	G
35mm	50mm	140mm	£69.00	£59.00	G
40mm	55mm	160mm	£85.00	£65.00	G
45mm	65mm	180mm	£114.00	£94.00	G
50mm	70mm	200mm	£131.00	£95.00	G
55mm	75mm	220mm	£153.00	£118.00	G
60mm	80mm	240mm	£185.00	£127.00	G
65mm	85mm	260mm	£210.00	£85.00	PH
70mm	90mm	280mm	£205.00	£128.00	G
75mm	95mm	300mm	£260.00	£130.00	G

PH = Phenolic Shell
G = GRP Shell



Marine Cutless Bearings

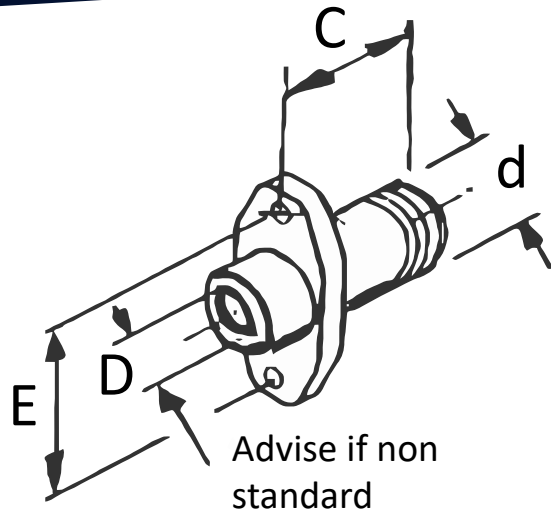
Metric Shaft Diameter, Imperial Shell Diameter					
Shaft Diameter	Shell Diameter	Length	Brass Price	Non Metallic Price	
20mm	1 ¼"	80mm	£95.00	£89.00	G
22mm	1 ¼"	88mm	£POA	£POA	
22mm	1 ⅜"	88mm	£POA	£POA	
25mm	1 ¼"	100mm	£82.00	£75.00	PH
25mm	1 ⅜"	100mm	£72.00	£51.00	PH
25mm	1 ½"	100mm	£51.00	£64.00	G
30mm	1 ¾"	120mm	£63.00	£73.00	G
35mm	1 ⅞"	140mm	£66.00	£76.00	G
40mm	2 ⅛"	160mm	£85.00	£86.00	G
45mm	2 ⅜"	178mm	£1111.00	£1112.00	G
50mm	2 ⅝"	200mm	£1118.00	£1134.00	G

Other sizes are available both in imperial and metric.
 Detail and price on request.
 POA = Price On Application

Headed all Rubber Bearings			
Shaft Diameter	Housing Diameter	Length	Price
22mm	29mm	75mm	£33.00
22mm	36mm	75mm	£33.00
25mm	34mm	55mm	£33.00
25mm	36mm	100mm	£33.00
25mm	40mm	100mm	£37.00
25mm	40mm	120mm	£37.00
30mm	40mm	100mm	£38.00
30mm	40mm	120mm	£38.00
Shrimper, brass shell options			
Shaft Diameter	Shell Diameter	Length	Price
1"	34mm	60mm	£65.00
25mm	34mm	60mm	£65.00

PH = Phenolic Shell
 G= GRP Shell

Inboard flange for PSS / TIDES Seal + Other Seal Options

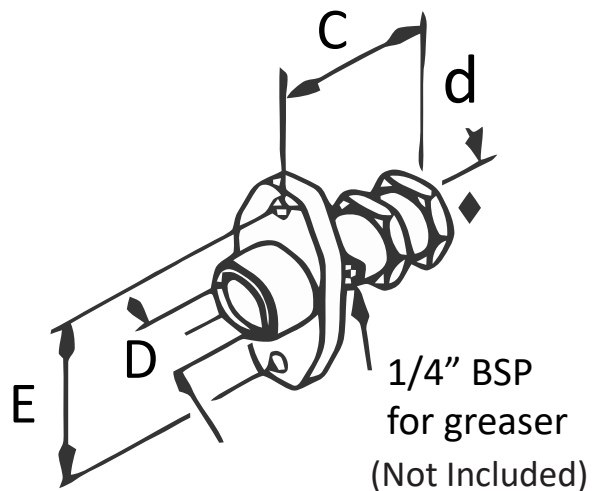


Gunmetal Bronze

To order, advise "d" and any special requirements					
shaft range	"d" inside dia. of your hose	"C" as std.	std. tube dia. "D" thread 12 t.p.i	"E" std. bolt centres	Std. Price
7/8" to 1 1/8" 22mm to 28mm	1 1/4" to 1 3/4"	2 1/2"	1 1/2"	4"	£198.00
1 1/4" to 1 1/8" 30mm to 35mm	1 3/4" to 2 1/4" 2 1/2" to 3 1/8"	3" 2 5/8"	1 3/4" 2" or 2 1/4"	4 1/2" 4 holes 4 1/2" PCD	£252.00
1 1/2" to 1 3/4" 40mm to 45mm	no thread flat back	2 1/4"	3"	4 1/2"	£290.00

Rigid Inboard Gland

(Complete with gland packing)



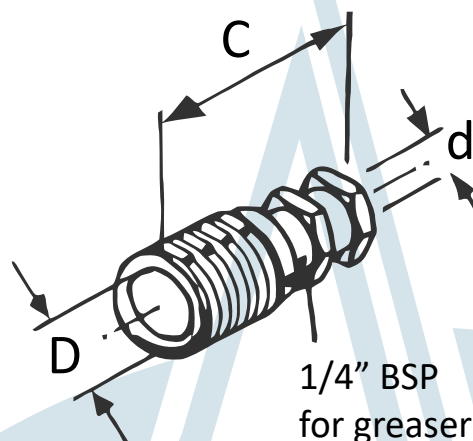
Gunmetal Bronze

To order, select shaft diameter and any non-standard requirements				
"d" inside dia. of your hose	"C" as std.	std. tube dia. "D" thread 12 t.p.i	"E" std. bolt centres	Std. Price
7/8" to 1 1/8" 22mm to 25mm	3 1/4"	1 1/2"	4"	£311.00
1 1/8" to 1 3/8" 28mm to 35mm	3 1/2"	1 3/4"	4" to 4 1/2"	£360.00
1 1/2" & 40mm	3 1/2"	2"	4 holes 4 1/2" PCD round flange	£468.00
1 3/4" & 45mm	3 1/2"	2 1/2"	4 holes 4 1/2" PCD round flange	£516.00

Flexible Inboard Gland

with nut type gland (stud type over 1 3/8" / 35mm)

(Complete with hose, clips, gland packing)



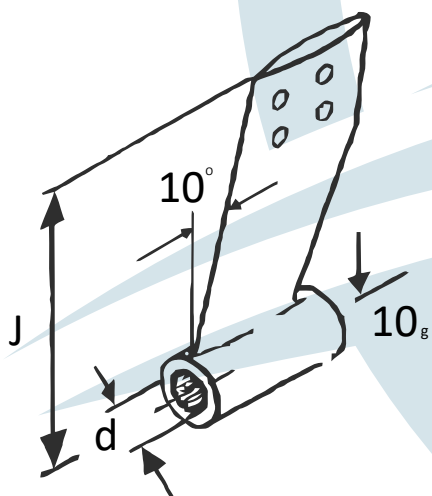
Gunmetal Bronze

To order, specify "d" shaft diameter and confirm "D"

for shaft diameter "d"	approx "C"	standard "D"	Std. Price
3/4" / 20mm	6" / 150mm	1 1/4" / 32 - 2" / 51mm	£253.00
7/8" / 22mm	6" / 150mm	1 1/2" / 38 - 2" / 51mm	£253.00
1" / 25mm	6" / 150mm	1 1/2" / 38 - 2" / 51mm	£253.00
1 1/8" / 28mm	6" / 150mm	1 1/2" / 38 - 2" / 51mm	£272.00
1 1/4" / 30mm - 1 3/8" / 35mm	7" / 175mm	1 3/4" / 45mm - 2 1/4" / 58mm	£330.00
1 1/2" / 40mm	8" / 200mm	2" / 51 - 2 1/2" / 64mm	£512.00
1 5/8" or 1 3/4" / 45mm	8" / 200mm	2" / 51 - 2 1/2" / 64mm	£577.00

Special requirements can usually be accommodated.

Glass-in "P" Brackets



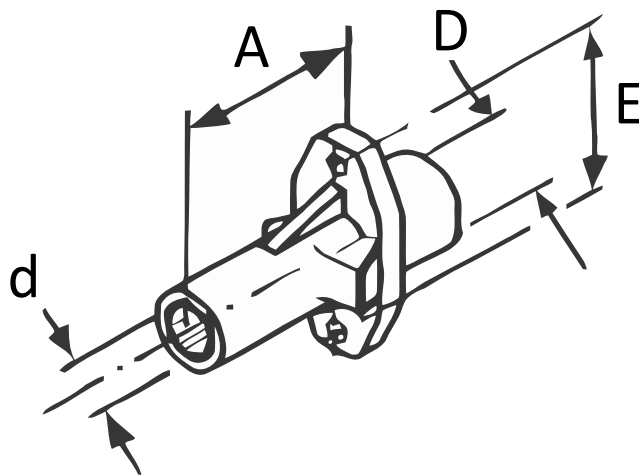
To order, specify "d" shaft diameter

for shaft diameter "d"	length "J"	Std. Price
7/8" / 22mm	16" / 400mm	£415.00
1" / 25mm	16" / 400mm	£415.00
1 1/8" / 28mm	16" / 400mm	£415.00
1 1/4" / 30mm	16" / 400mm	£632.00
1 3/8" / 35mm	18" / 450mm	£788.00
1 1/2" / 40mm	18" / 450mm	£972.00
1 3/4" / 45mm	22" / 550mm	£1498.00
2" / 50mm	22" / 550mm	£1775.00

Magnesium Bronze with cutless fitted.

Water Scoop Outboard bearing

(Cutless fitted)



Gunmetal Bronze

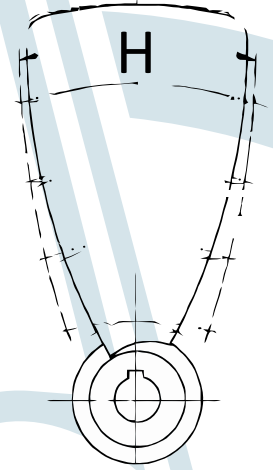
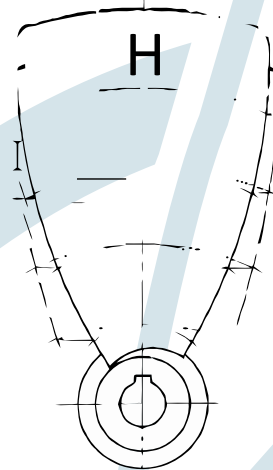
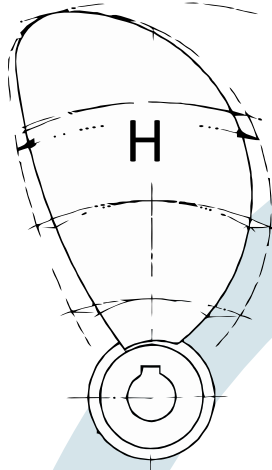
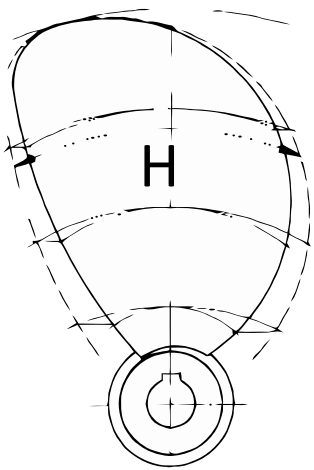
To order, select shaft diameter				
for shaft diameter "d"	standard length "A"	std. tube dia. "D" thread 12 t.p.i	"E" std. bolt centres	Std. Price
7/8" / 22mm	4 1/2" / 114mm	1 1/2" / 38mm	4" / 102mm	£324.00
1" / 25mm	5" / 127mm	1 1/2" / 38mm	4" / 102mm	£324.00
1 1/8" / 28mm	5 1/4" / 135mm	1 3/4" / 45mm	4" / 102mm	£336.00
1 1/4" / 30mm - 1 3/8" / 35mm	6" / 150mm	1 3/4" / 45mm	4 1/2" / 114mm	£348.00
1 1/2" / 40mm	7" / 178mm	2" / 51mm	5" / 127mm	£492.00
1 5/8" or 1 3/4" / 45mm	7 1/2" / 190mm	2 1/4" / 57mm	5" / 127mm	£521.00



ELICHE RADICE

Radice Blade Profiles

To calculate Blade Width where "D" is Diameter and "H" is Blade Width $H = D \times \text{factor}$ shown against each blade type & propeller model.



H = 0.376 of Prop. Dia.

Propellers

E13	3 blade
B7	4 blade

H = 0.311 of Prop. Dia.

Propellers

E12	3 blade
B6	4 blade
A3	5 blade

H = 0.352 of Prop. Dia.

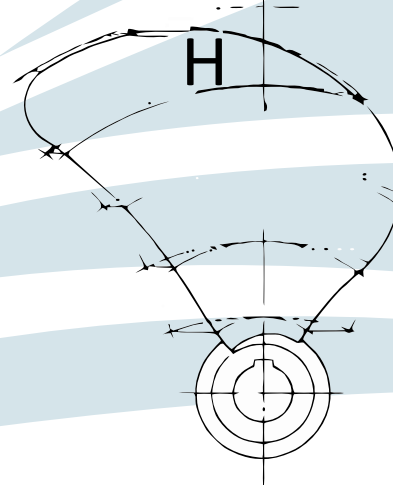
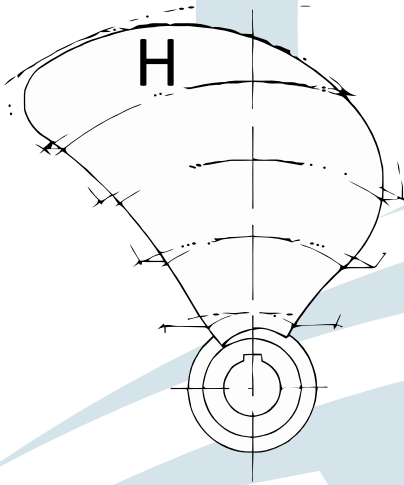
Propellers

K3/50	3 blade
K4/67	4 blade

H = 0.306 of Prop. Dia.

Propellers

K3/42	3 blade
K4/56	4 blade



H = 0.423 of Prop. Dia.

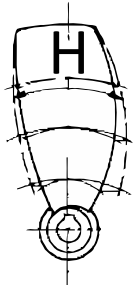
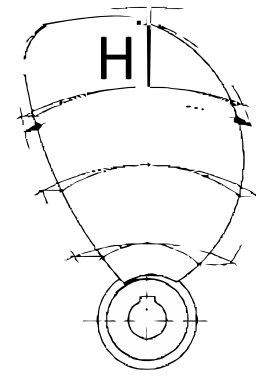
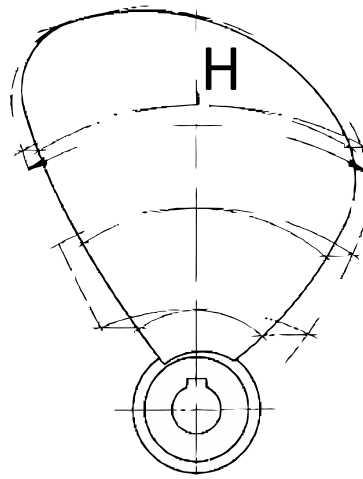
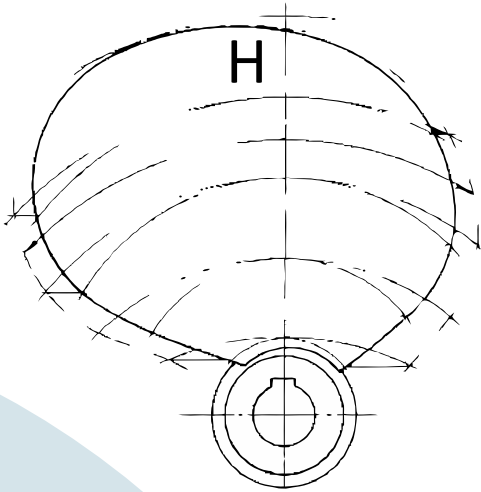
Propellers

S8	4 blade
----	---------

H = 0.430 of Prop. Dia.

Propellers

S9	5 blade
----	---------



H = 0.611 of Prop. Dia.

Propellers

D10	3 blade
-----	---------

H = 0.436 of Prop. Dia.

Propellers

C7	3 blade
EA	4 blade
C9	5 blade

H = 0.376 of Prop. Dia.

Propellers

K11	2 blade
-----	---------

H = 0.250 of Prop. Dia.

Propellers

M12	2 blade
-----	---------

NLA.


**ELICHE
RADICE**

Radice 2 & 3 Blade Bronze Propellers

Europes largest volume propeller manufacturer

Diameter		2 Blade Sailing	2 Blade Turbine	3 Blade Fine	3 Blade Standard	3 Blade Equipoise
		Type M12:0.23	Type K11 :0.34	Type E12:0.43	Type E13:0.52	Type C7:0.55
10"	254mm				£308.00	
11"	279mm				£308.00	
12"	305mm	£269.00	£354.00	£280.00	£469.00	
13"	330mm	£291.00	£365.00	£330.00	£485.00	
14"	356mm	£302.00	£389.00	£352.00	£501.00	
15"	381mm	£308.00	£405.00	£363.00	£530.00	
16"	406mm	£363.00	£461.00	£385.00	£589.00	£688.00
17"	432mm		£518.00	£423.00	£645.00	£747.00
18"	457mm		£531.00	£445.00	£670.00	£871.00
19"	483mm				£796.00	
20"	508mm				£863.00	£1056.00
21"	533mm				£1118.00	
22"	559mm				£1374.00	£1390.00

**Propeller
Blade Style**

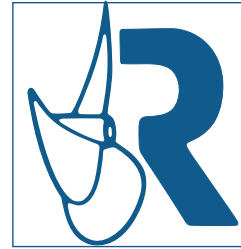
NLA
Limited Stock
LH Only

RH Only


- Prices include standard taper boring & keyslot 1 in 10, 1 in 12 & 1 in 16 only 1 in 14 & 1 in 20 £25 net surcharge.
- Available in left & right hand & full range of popular pitches (pilot bore less £40 up to 17" and £50 above 17").
- Sillette stock range M12 - 12" to 16" Dia: K11 - 12" to 18" Dia: E12 - 12" to 18" Dia in righthand
- E13 - 10" to 22" Dia, C7 - 16" to 22" Dia: Propellers may not be of Radice origin or specification. (See Above)
- Propeller material otman, specially formulated for Eliche Radice propellers only. It has good strength characteristic and a good resistance to corrosion.
Copper 53/56% Manganese 1.8/2.4% Nickel 1.5/2.0%

Radice 2 & 3 Blade Bronze Propellers

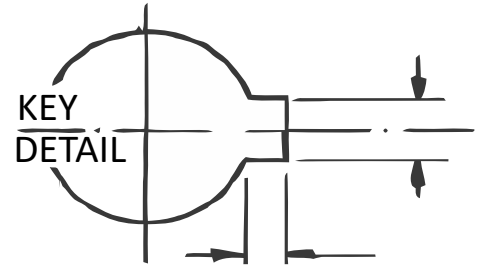
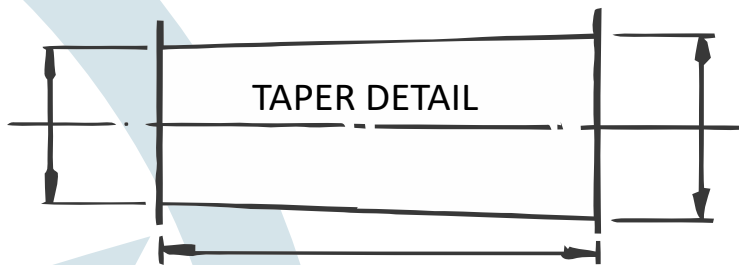
Continued.



**ELICHE
RADICE**

Mechanical resistance $R > 535 \text{ N/mm}^2$, yield strength $> 220 \text{ N/mm}^2$, elongation $> 25\%$
In most cases it is not necessary to specify mibral (Nickel Aluminium Bronze) which would add 30% to above prices.

- When ordering please specify following dimensions for bore & keyslot and confirm if they relate to propeller hub or shaft for folding propellers also specify thread i.e. $\frac{3}{4}$ " BSF - M16 x 1.5 pitch etc



- Propellers correctly supplied to your order are not returnable.

The Radice Company, established in 1919 has always been one of the most advanced in designing and manufacturing any type of propeller, from small outboard propellers to ship's propellers up to 4 mtr in diameter. Due to their policy of continuous development, specification may change without prior notice, please check when ordering. Prices subject to change without notice.



Stern Drive Propellers

Europes largest volume propeller manufacturer

For, ENFIELD 130, SONIC, PERKINS, TRANSADRIE, & VOLVO 80.88. Sterndrives

For, ENFIELD 130, SONIC, PERKINS, TRANSADRIE,
& VOLVO 80.88. Sterndrives

13"	Dia	8"	PITCH	R	£231.00
13"	Dia	10"	PITCH	R	£231.00
13"	Dia	11"	PITCH	R	£231.00
13"	Dia	12"	PITCH	R	£231.00
13"	Dia	13"	PITCH	R	£231.00
13"	Dia	14"	PITCH	R	£231.00

For, ENFIELD 130, SONIC, PERKINS, TRANSADRIE,
& VOLVO 80.88. Sterndrives

14"	Dia	9"	PITCH	R	£279.00
14"	Dia	10"	PITCH	R	£279.00
14"	Dia	11"	PITCH	R	£279.00
14"	Dia	12"	PITCH	R	£279.00
14"	Dia	13"	PITCH	R	£279.00

Left hand no longer available

All 3 blade Aluminium for .80"/20.5mm Dia 12 Spline involute prop shaft.
RETAINING CONE, TAB WASHER AND SPACER FOR ABOVE - £77

For, VOLVO AQUAMATIC 100 -110 - Pin drive (limited stock)

For, VOLVO AQUAMATIC 100 -110 - Pin drive

14" Diameter	DiAx	9"	PITCH	R	£234.00
14" Diameter	DiAx	10"	PITCH	R	£234.00
14" Diameter	DiAx	12"	PITCH	R	£234.00

For, ENFIELD 200, SONIC 250, TRANSADRIE 220, & VOLVO AQUAMATIC 200.250.270.280.

For, ENFIELD 200, SONIC 250, TRANSADRIE 220, & VOLVO AQUAMATIC 200.250.270.280.

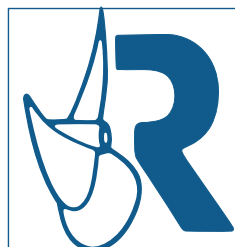
14" Diameter	PITCHES 9" to 17"	left or right hand rotation	£280.00
15" Diameter	PITCHES 9" to 17"	left or right hand rotation	£295.00
16" Diameter	PITCHES 12, 14", 16" 18"	left or right hand rotation	£295.00

All 3 blade Aluminium for 1.100"/28mm Dia 17 Spline involute prop shaft, standard hub length
Retaining cone and Tab washer for above - Sillette type - £77
Adaptor to convert 12 Spline Shafts to 17 Spline- £120 (Use AQ200 Props instead of AQ88)
Including spacer.

Sail Drive Propellers - Fixed

Europes largest volume propeller manufacturer
Aluminium

Rope cutter available - (See page 42)



**ELICHE
RADICE**



For, BUKH, YANMAR, NANNI, VOLVO & SONIC.

Sail Drives, 2 Blade. 17 Spline. 28mm Shaft

For, BUKH, YANMAR, NANNI, VOLVO & SONIC. Sail Drives, 2 Blade. 17 Spline. 28mm Shaft			
14" Diameter	PITCHES 7", 8", 9", 10"	left hand rotation	£265.00
15" Diameter	PITCHES 10", 11", 13"	left hand rotation	£280.00
16" Diameter	PITCHES 11", 13"	left hand rotation	£286.00
17" Diameter	PITCHES 12", 14"	left hand rotation	£310.00

Sail Drives, 3 Blade. 17 Spline. 28mm Shaft

Sail Drives, 3 Blade. 17 Spline. 28mm Shaft			
14" Diameter	PITCHES 9", 10", 11", 12"	left hand rotation	£301.00
15" Diameter	PITCHES 11", 12", 13"	left hand rotation	£318.00
16" Diameter	PITCHES 11", 12"	left hand rotation	£328.00
17" Diameter	PITCHES 11", 12", 13", 14", 15", 16"	left hand rotation	£364.00
18" Diameter	PITCHES 15", 16"	left hand rotation	£434.00

LOMBARDINI / SELVA Sail Drive, 3 Blade

Sail Drives, 3 Blade. 17 Spline. 28mm Shaft			
14" Diameter	PITCHES 8"	right hand rotation	£322.00
Cone Kit inc, tab washer and spacer for Yanmar, Sillette type, specify M16 or M20 - unpainted			£79.00
Spacer for Yanmar Saildrives, use with Sillette Cone & Tab Washer as spare part			£35.00
Cone Kit with centre bolt Volvo type			£84.00

Radice propellers are pitch checked and balanced during manufacture, samples are also subjected to destructive testing to ensure material consistency and correct functioning of the cushioned hub. Reference to inch sizes in this price list is for Part No. identification purposes. Propellers correctly supplied to order are not returnable. Modification for rope cutter £40 net.



Taper Fitting Shaft Propellers

Europes largest volume propeller manufacturer

FOLDING

2 Blade Folding	
Available for left or right hand rotation Bored & keywayed to standard 1:10, 1:12 or 1:16 tapers. (1 :14 and 1:20 £25 net extra)	
For use with propeller shaft diameters, 19 to 25 mm - 3/4" to 1"	
12" Diameter x pitches 8" - Subject to availability (Left hand drive only)	£606.00
13" Diameter x pitches 7", 8", 9" 10", 11"	£794.00
For use with propeller shaft diameters 22 to 25 mm 7/8 to 1"	
14" Diameter x pitches 8", 9", 10", 11"	£910.00
15" Diameter x pitches 9", 10", 11", 12"	£933.00
For use with propeller shaft diameters 25 to 35 mm - 1" to 1 3/8"	
16" Diameter x pitches 10", 11", 12", 13"	£995.00
17" Diameter x pitches 10", 11", 12", 13", 14"	£1067.00
For use with propeller shaft diameters. 30 to 40mm - 1 1/8" to 1 1/2"	
18" Diameter x pitches 12", 13", 14"	£1239.00

Pilot bored less £50 on above prices
Non standards tapers subject to individual quotation
Pitch availability quoted is for 2 blade only.

Bore free issue propellers
- £80 + VAT net.

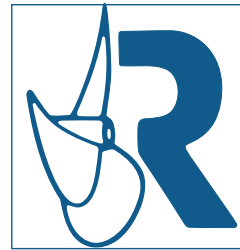
SPLINE FITTING SAILDRIVE PROPELLERS - FOLDING

For Volvo 110's, Volvo 120's, Yanmar, Bukh, Nanni & Sonic Saildrives			
13" Diameter	PITCH 7", 8", 9"	left hand rotation	£843.00
14" Diameter	PITCHES 7", 8", 9", 10"	left hand rotation	£941.00
15" Diameter	PITCHES 9", 10", 11", 12", 13"	left hand rotation	£963.00
16" Diameter	PITCHES 10", 11", 13"	left hand rotation	£1023.00
17" Diameter	PITCHES 10", 13"	left hand rotation	£1093.00
18" Diameter	PITCHES 11", 12"	left hand rotation	£1233.00
19" Diameter	PITCHES 12"	left hand rotation	NLA

NLA - No longer available
Rope Cutter available for Saildrive - (See page 42)

Spine Fitting Saildrive Propellers - for Lombardini-Selva

Europes largest volume propeller manufacturer



**ELICHE
RADICE**

FOLDING

For Lombardini-Selva			
14" Diameter	PITCHES 8", 9", 10"	right hand rotation	£908.00
15" Diameter	PITCHES 9", 10", 11", 12"	right hand rotation	£991.00
16" Diameter	PITCHES 10", 11", 12", 13"	right hand rotation	£1053.00

For pitch and diameter recommendations forward full engine detail, reduction ratio and leg. All reference to inch sizes on this list is for part identification purposes.

SPARE PARTS FOR RADICE FOLDING PROPELLERS

Pivot pin retaining screw - Stainless Steel	M8 x 30 or 35		£9.00
Nut side locking screw - Stainless Steel	M8 x 16		£2.50
Pivot pin L64 D14mm - Stainless Steel			£13.00
Nut, special nyloc SD	M16		£10.00
Nut, shaft propellers std type tapped as required			£58.00
Nut, new SD type			£58.00
Spare blades	60% of propeller cost		
Taper Shaft hub including boring.	m1 & m2 (m3 add £38)		£409.00
Yanmar, Volvo, Bukh SailDrive hub			£447.00
Propeller extractor for tapered shaft 2BL		Small £29.00	Large £39.00

Propellers & spare parts correctly supplied to your order are not returnable.



Standard Shaft Propellers, 2 Blade folding

Quality Folding Propellers - Nickel, Aluminium, Bronze

Available for left or right hand rotation, except where shown.

Bored and keywayed to standard 1:10, 1:12 or 1:16 - Non standard tapers subject to individual quotation.

11 ½"	Diameter	PITCH 8" Pitch (9 ½" Pitch in RH only)	£938.00
12 ½"	Diameter	PITCH 8" Pitch RH Only	£938.00
13"	Diameter	PITCH 9"	£949.00
14"	Diameter	PITCH 9 ½"	£973.00
15"	Diameter	PITCH 10"	£999.00
15"	Diameter	PITCH 12"	£999.00
16 ½"	Diameter	PITCH 11"	£1074.00
16 ½"	Diameter	PITCH 13"	£1074.00
18"	Diameter	PITCH 13" also 15" Pitch. RH only	£1090.00

Pilot bored less £50 on above prices

Non standards tapers subject to individual quotation

Customised diameter & pitch quoted on request

Standard Shaft Propellers, 3 Blade folding

SHAFT INSTALLATION

INTEGRATED HUB ANODE

Bored and keywayed 1:10 - 1:12 - 1:16 - Non standard tapers subject to individual quotation.

14"	Diameter	PITCHES 9", 10", 11", 12"	£2,580.00
15"	Diameter	PITCHES 9", 10", 11", 12"	£2,580.00
16 ½"	Diameter	PITCHES 10", 11", 12" 13", 14"	£2,700.00
18"	Diameter	PITCHES 11", 12", 13", 14"	£3,300.00
20"	Diameter	PITCHES 12", 13", 14", 15", 16"	£3,420.00
22"	Diameter	PITCHES 13", 14", 15", 16", 17"	£4,411.00
24"	Diameter	PITCHES 15", 16", 17", 18", 19"	£4,651.00
26"	Diameter	PITCHES 16", 17", 18", 19", 20", 21"	£5,269.00
28"	Diameter	PITCHES 17", 18", 19", 20", 21", 22"	£8,401.00
30"	Diameter	PITCHES 18", 19", 20", 21", 22", 23", 24"	£8,882.00

10% off list price for single pitch without overdrive.



Standard Shaft Propellers, 4 Blade folding

SHAFT INSTALLATION				
INTEGRATED HUB ANODE, SUBJECT TO REQUEST WHEN ORDERING				
Bored and keywayed 1:10 - 1:12 - 1:16 - 1:20 - Non standard tapers subject to individual quotation.				
22"	Diameter	PITCHES 13", 14", 15", 16", 17"	RH/LH	P.O.A.
24"	Diameter	PITCHES 15", 16", 17", 18", 19"	RH/LH	P.O.A.
26"	Diameter	PITCHES 16", 17", 18", 19", 20", 21"	RH/LH	P.O.A.
28"	Diameter	PITCHES 17", 18", 19", 20", 21", 22"	RH/LH	P.O.A.
30"	Diameter	PITCHES 18", 19", 20", 21", 22", 23", 24"	RH/LH	P.O.A.
32"	Diameter	PITCHES 19", 20", 21", 22", 23", 24", 25"	RH/LH	P.O.A.
34"	Diameter	PITCHES 20", 21", 22", 23", 24", 25", 26"	RH/LH	P.O.A.
36"	Diameter	PITCHES 21", 22", 23", 24", 25", 26", 27"	RH/LH	P.O.A.
38"	Diameter	PITCHES 23", 24", 25", 26", 27", 28", 29", 30"	RH/LH	P.O.A.

Racing Series Propellers, 2 Blade folding

FOR HYDRODRIVE, SHAFT FITTING AND SAILDRIVE LH OR RH					
365	Diameter		- 180 Pitch	(LH only)	£1,722.00
375	Diameter	30-40 ft - 3/4 tanner	- 260 Pitch		£1,722.00
380	Diameter	30-40 ft - 3/4 tanner	- 265 Pitch	(LH only)	£1,722.00
425	Diameter	35-45 ft - 1 ton ner	- 300 Pitch		£1,783.00
475	Diameter	40-50 ft - 2 tanner	- 330 Pitch		£1,968.00
530	Diameter	50 footer and Whitbread 60	- 370 Pitch		£2,152.00
750	Diameter	Maxi Raters (also 680mm for Hydrodrive)		RH	P.O.A.

Actual propeller size depends on boat and engine installation, custom made propellers available. For pitch and diameter recommendations, enter calculation details on Gori website. www.gori-propeller.dk or complete, the Sillette order/enquiry form
P.O.A. - Price on application

Race Series Propellers can be supplied with or without an anode on saildrive models only.

GORI PROPELLER

experience the difference

Sail Drive Propellers 2 Blade folding with cushioned hub

Quality Folding Propellers - Nickel, Aluminium, Bronze



SHAFT INSTALLATION

NEW - INTEGRATED HUB ANODE SUPPLIED AT NO EXTRA COST

Bored and keywayed 1:10 - 1:12 - 1:16 - 1:20 - Non standard tapers subject to individual quotation.

11 ½"	Diameter	PITCH 8" RH for Volvo 50S	£989.00
11 ½"	Diameter	PITCH 8" RH for BUKH DV8SME	£989.00
11 ½"	Diameter	PITCH 9 ½" RH for BUKH DV10LSME	£989.00
12"	Diameter	PITCH 8" RH for BUKH DV10LSME	£1002.00

For VOLVO 110S, VOLVO 120S, YANMAR, BUKH, SONIC & LOMBARDINI-17 spline. With anode fitted.

For VOLVO 100S add £50 to the following prices. Propeller fits with 10-15mm gap

13"	Diameter	PITCH 9" Pitch - LH	£1190.00
14"	Diameter	PITCH 9 ½" - LH	£1202.00
15"	Diameter	PITCH 10" - LH ALSO 11" & 12" Pitch	£1215.00
16 ½"	Diameter	PITCH 11" - LH ALSO 13" Pitch available	£1227.00
17"	Diameter	PITCH 14" - LH	£1252.00
18"	Diameter	PITCH 11" - LH	£1252.00
18"	Diameter	PITCH 12" - LH	£1252.00
18"	Diameter	PITCH 14" - LH	£1252.00

Sail Drive Propellers 3 Blade folding with cushion hub, with overdrive feature or without.

Standard 17 spline fitting with replaceable cushioned hub and anode protection.

For VOLVO, YANMAR, BUKH, SONIC & LOMBARDINI -17 spline.

15"	Diameter	PITCHES 9", 10", 11", 12"	LH standard (RH optional)	£2,433.00
16 ½"	Diameter	PITCHES 10", 11", 12" 13", 14"	LH standard (RH optional)	£2,555.00
18"	Diameter	PITCHES 11", 12", 13" 14", 15"	LH standard (RH optional)	£3,166.00
20"	Diameter	PITCHES 12", 13", 14", 15", 16"	LH standard (RH optional)	£3,305.00

Rope Cutters available to suit Saildrive 2 & 3 blades - (See page 42)

Less 10% for Single Pitch



Spare Part Prices for Gori 2 Blade Folding Propellers

Quality Folding Propellers

Replacement blades for existing propeller - subject to availability	60% of propeller price
Replacement hub with standard bore	60% of propeller price
Replacement hub for saildrive propellers	£697.00
Re vulcanisation of existing saildrive hub	NLA
Pivot pin retaining screws M8 pointed - 8mm long or 12mm long	£2.30
Pivot pins (specify size when ordering) (1 pair) - Shaft or Saildrive	£68.00
Split pin for Saildrive prop	£2.30
Collar nut for Saildrive prop, new method - M16 or M20 x 2 mm pitch	£68.00
Nut, Shaft Propellers Std. Type Tapped as required	each £68.00
Propeller extractor from tapered shaft 2 blade	Small, £28 Large, £37.00

3 Blade Folding Propellers Spares for Gori

Nut, Shaft 3 blade propeller 15" - 20" (Tapped as required)	£68.00
Internal locking bolt 15" - 20" (Specify propeller size)	£36.00
Locking internal grub screw 18" - 30" (Specify propeller size)	£11.00

Note:

3 Blade pivot pins for shaft or saildrive
Propellers are not available as a spare part
Propeller has to be sent back to Denmark



Spare Part Prices for 3 Blade Folding Propellers - Shaft and saildrive types

Triangular Anode and Stops	15" - 16 ½" - 3 BLADE		£67.00
Triangular Anode and Stops	18" - 20" - 3 BLADE		£67.00
Triangular Anode and Stops	22" - 26" - 3 BLADE		£67.00
Triangular Anode and Stops	28" - 30" - 3 BLADE		£97.00
Triangular Anode	15" - 16 ½" - 3 BLADE		£28.00
Triangular Anode	18" - 20" - 3 BLADE		£28.00
Triangular Anode	22" - 26" - 3 BLADE		£28.00
Triangular Anode	28" - 30" - 3 BLADE		£38.00
Hub Anode	12 ½" - 18" - 2 BLADE	SAILDRIVE PROPELLER	£61.00
Hub Anode	15" - 16 ½" - 3 BLADE	Specify saildrive or shaft propeller	£61.00
Hub Anode	18" - 20" - 3 BLADE	Specify saildrive or shaft propeller	£61.00
Hub Anode	22" - 26" - 3 BLADE		£78.00
Hub Anode	28" - 30" - 3 BLADE		£92.00

All Anodes available in sets of 3, of same type, at stockholder discount price, (pay for 2 & receive 3)

Peek Bush 15" - 20" - 3 Blade Saildrive Propeller				£55.00 each
Set Thrust Washers 15" - 26" 3 Blade	Set of washers of different thicknesses to set gear backlash.			£44.00
Cushioned rubber spline centre	15" - 20" - 3 BLADE SAILDRIVE PROPELLER, specify diameter			£87.00
Hub extractor tool	15"/16 ½" - £54.00	18"/20" - £69.00	22"/26" - £77.00	28" / 30" - £136.00
C. spanner	15"/16 ½" - £31.00	18"/20" - £43.00	22"/26" - £76	28" / 30" - £168.00
Bronze splined inner centre hub - 3Blade Saildrive				£230.00

Note: All reference to inch sizes in the price list and various GORI MARINE brochures, is for part identification purposes, although in most instances propeller sizes are identified by inch measurement, throughout the world.

Spare Part and Accessories

EPOXY GLASS TUBE

Ground, Unmachined GRP tube in lengths of 4 ft/ 1219 or less.

NB. 2 ft lengths charged at 65% of 4 ft price up to 1 3/4" bore - 1 3/4" and above charged at full length.

Bore dia.	Wall thickness	Price
1 1/4" (32mm)	1/4" (6.4mm)	£142.00
1 3/8" (35mm)	3/16" (4.8mm)	£124.00
1 1/2" (38mm)	1/4" (6.4mm)	£181.00
1 3/4" (45mm)	1/4" (6.4mm)	£197.00
2" (51mm)	1/4" (6.4mm)	£229.00
2 1/4" (57mm)	1/4" (6.4mm)	£246.00
2 1/2" (64mm)	1/4" (6.4mm)	£277.00

BRASS TUBE CZ121 or CZ126

Depending on availability

Per 1ft | 300mm sawn to length & unmachined or with standard thread each end add £45.00

Outside dia	Wall thickness		Price
1 1/2" / 38mm	1/8" (32.25mm)	10SWG	£48.00
1 3/4" / 45mm	1/8" (32.25mm)	10SWG	£54.00
2" / 51mm	1/8" (32.25mm)	10SWG	£66.00
2 1/2" / 64mm	1/8" (32.25mm)	10SWG	£94.00

BRASS KEY MATERIAL - CZ 121

for propeller shafts, cut lengths

For short key with rounded ends to fit tapered portion of propeller shaft take price as for 300mm cut length, and specify length you require.

Square (imperial)	Price per 300mm	Square (metric)	Price per 300mm
3/16"	£16.00	5mm	£18.00
1/4"	£18.00	6mm	£19.00
5/16"	£20.00	8mm	£20.00
3/8"	£25.00	10mm	£25.00
7/16"	£28.00	12mm	£32.00
1/2"	£29.00		

STERN GLAND HOSE

Available in these sizes

Specifically for use with sterngear, oil & grease resistant, wall thickness between 8 and 10mm.

Inside dia	Price per 100mm	Inside dia	Price per 100mm
1 1/4" (32mm)	£24.00	2" (51mm)	£33.00
1 3/8" (35mm)	£25.00	2 1/8" (54mm)	£34.00
1 1/2" (38mm)	£26.00	2 1/4" (57mm)	£37.00
1 5/8" (41mm)	£28.00	2 3/8" (60mm)	£41.00
1 3/4" (45mm)	£30.00	2 1/2" (64mm)	£43.00
1 7/8" / 48mm	£32.00	2 3/4" / 70	£48.00

Spare Part and Accessories



Only to order

ZINC COLLAR ANODE for limited shaft space

shaft dia 20mm	£10.00
shaft dia 22mm	£10.00
shaft dia 25mm	£10.00
shaft dia 30mm	£12.00
shaft dia ¾"	£10.00
shaft dia ⅞"	£10.00
shaft dia 1"	£10.00
shaft dia 1 ⅛"	£12.00
shaft dia 1 ¼"	£13.00

ZINC SHAFT BARREL ANODE for general use

shaft dia ¾" (19mm)	£13.00
shaft dia ⅞" (22mm)	£12.00
shaft dia 25mm	£12.00
shaft dia 1"	£12.00
shaft dia 1 ⅛" (28mm)	£12.00
shaft dia 30mm	£12.00
shaft dia 1 ¼" (31.7mm)	£12.00
shaft dia 1 ⅜" (35mm)	£14.00
shaft dia 1 ½" (38mm)	£14.00
shaft dia 40mm	£24.00
shaft dia 1 ¾" (44.4mm)	£24.00
shaft dia 45mm	£24.00
shaft dia 2" (50mm)	£25.00

ZINC SUPER SHAFT ANODES for use adjacent 'P' Brackets

shaft dia ¾" (19mm)	£34.00
shaft dia ⅞" (22mm)	£33.00
shaft dia 25mm	£35.00
shaft dia 1"	£35.00
shaft dia 1 ⅛" (28mm)	£44.00
shaft dia 30mm	£44.00
shaft dia 1 ¼" (31.7mm)	£34.00
shaft dia 1 ⅜" (35mm)	£42.00
shaft dia 1 ½" (38mm)	£47.00
shaft dia 40mm	£57.00
shaft dia 1 ¾" (44.4mm)	£99.00
shaft dia 2" (50mm)	£99.00



ZINC SAILDRIVE ANODES

Volvo 110 Saildrive	£25.00
Volvo 120 Saildrive	£21.00
Yanmar Split SD20//30/40/50	£41.00
Volvo 130S Split	£46.00
Volvo 120S Split	£35.00
Yanmar SD20/25/50	£23.00



ZINC STERNDRIVE ANODES

Volvo 2501270/275	£16.00
Volvo 280	£22.00
Sonic Sterndrive Ring Anode	£15.00
Sonic Sterndrive Block Anode	£9.00



ZINC HULL & RUDDER ANODES

2.1kg pear anode - 200mm ctrs.	£29.00
4kg zinc bar anode - 200mm ctrs.	£55.00
1kg zinc disc anode - 100mm dia.	£15.00

Spare Parts and Accessories

REMOTE SCREW DOWN LUBRICATOR - BRASS



<p>Screw down type, all brass lubricator for stern tubes, rudder bearings etc. Suitable for either vertical or horizontal mounting Capacity 5 fl.oz</p> <p>Dimensions: Base width 3 1/8" (80mm). Projection 2 3/4" (70mm) Base height 1" (25mm). Outlet at base front 1/8" BSP threaded Overall height extended 11" (288mm). Closed 7" (178mm)</p>	Lubricator only	£70.00
--	-----------------	--------

LUBRICATOR KIT

<p>Consisting of 1 x 1/8" BSP connector, 1 x 1/4" BSP connector and 3m nylon hose in polythene bag.</p>	Kit only	£28.00
---	----------	--------

GREASE CUPS - BRASS



Type	Male B.S.P.	O.A.Dia	Price
4	1/4"	40mm	£26.00

GREASE

<p>Water resistant for sterngear etc</p>	500gm tub	£9.00
--	-----------	-------

STERN GLAND PACKING - PTFE IMPREGNATED

Available in these sizes per metre



Square	Price
1/8" (3mm)	£17.00
3/16" (5mm)	£19.00
1/4" (6.5mm)	£20.00
5/16" (8mm)	£23.00
3/8" (9.5mm)	£25.00
1/2" (12.5mm)	£28.00

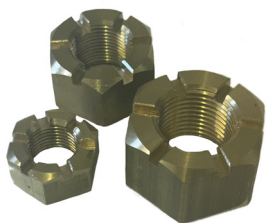
Spare Part and Accessories

CONE SHAFT NUTS WITH ZINC ANODE + TAB WASHER



Shaft nut with anode and tabwasher	M16 x 1.5	Shaft size 25mm & 22mm	£55.00
Shaft nut with anode and tabwasher	M20 x 1.5	Shaft size 30mm	£57.00
Shaft nut with anode and tabwasher	M24 x 2.	Shaft size 35mm	£62.00
Shaft nut with anode and tabwasher	M24 x 2.	Shaft size 40mm	£80.00
Shaft nut with anode and tabwasher	M33 x 2.	Shaft size 45mm	£84.00
Shaft nut with anode and tabwasher	M36 x 3	Shaft size 50mm	£143.00
Spare anode for M16 or M20 nut			£14.00
Spare anode for M24 nut. (Specify shaft size) 35mm or 40mm			£16.00
Spare anode for M30 nut			£23.00
Spare anode for M36 nut			£35.00
Spare tabwasher for M16, M20 & M24 nut			£6.00
Spare tabwasher for M33 & M36 nut			£11.00

SLOTTED NAVEL BRASS NUTS



Slotted brass nuts	½", ⅝", ¾" BSF, M16 x 1.5, M20 x 1.5, ⅞" BSF	£13.00
Slotted brass nuts	M24, ⅞", 1" BSF/WHIT/UNIFIED	£30.00
Slotted brass nuts	M30, 1 ⅛", BSF/WHIT/UNIFIED	£42.00
Slotted brass nuts	M36, 1 ¼" BSF/WHIT/UNIFIED	£54.00
Slotted brass nuts	M42, 45, 1 ½", 1 ¾" BSF/WHIT/UNIFIED	£60.00

SPLIT PINS & GRUB SCREWS



Split Pin	⅝" Stainless Steel	£1.00
Split Pin	¾" Stainless Steel	£2.00
Split Pin	1" Stainless Steel	£3.00
Grub Screw	M6 x 6, 12, 16 or 20 long	£1.00
Grub Screw	M8 x 12, 16, or 25 long	£2.00
Grub Screw	⅝" unc x ⅜" or ¾" long	£1.00
Grub Screw	HT M8 x 12 or ¼" UNC x ⅜" long	£1.50

Spare Part and Accessories

HI-GRIP HOSE CLIP (Stainless)

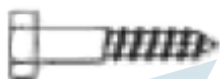


Hose Clip 040	£2.50
Hose Clip 050	£2.90
Hose Clip 060	£4.00
Hose Clip 070	£4.00
Hose Clip 080	£5.00

STUD

½" WHIT x 3" long brass	£18.00
½" whit brass nut	£5.00

COACH SCREWS



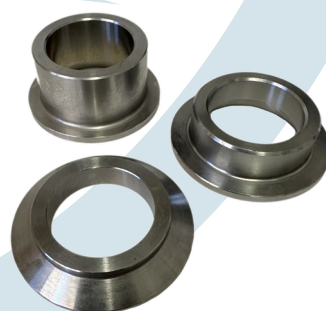
08 x 7 0	£4.00
010 X 80	£4.00

YANMAR SAIL DRIVE - NOSE CONE KIT - SILLETTE TYPE



Please specify saildrive type ie SD20, SD31, SD31, SD40 or SD50 when ordering	
Nose cone, tab washer & 8mm spacer, prefered method for fixed blade props (14mm spacer for SD40 & 50)	£79.00
Note: Nose cones shipped unpainted	

YANMAR SAIL DRIVE - Propeller Spacers / Spares



Spare tab washer 17 spline (for prefered nose cone system)	£6.00
Spare 8mm spacer (Sillette type)	£35.00
Spare 10.5mm spacer (Yanmar standard SD20, SD30 or SD31)	£35.00
Spare 16mm spacer (Yanmar standard SD40) or 14mm for Sillette cone system.	£35.00
Note: Other spacers available	



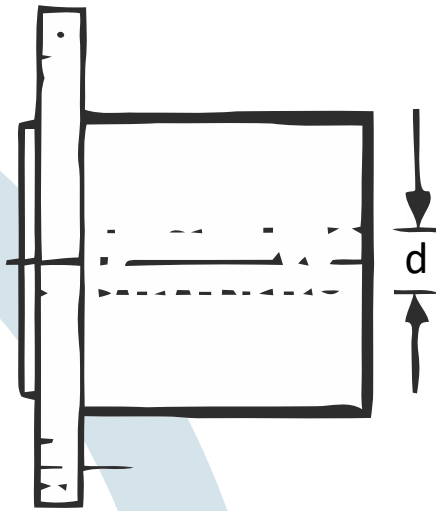
R & D MARINE LTD.

Flexible Shaft Couplings

Flexible Coupling	For Gearbox	Diameter	No. Bolts	Coupling Capacity HP/100rpm	Price
910-001	Borg Warner, PRM, Hurth, Technodrive	4"	4	5	£92.00
910-002	Yanmar	4"	4	3	£88.00
910-003	Borg Warner, PRM, MPM, Twin Disc	5 ¾"	6	20	£240.00
910-004	Borg Warner, PRM, Hurth	4"	4	8	£106.00
910-005	Paragon	4"	4	7	£106.00
910-006	Twin Disc, MPM	5 ¾"	6	20	£285.00
910-007	Volvo	4"	4	3	£92.00
910-009PR	Borg Warner, PRM, Hurth, Volvo	5"	4	13	£165.00
910-012	Yanmar	5"	4	10	£165.00
910-013	Bukh	90mm	4	3	£88.00
910-014	Borg Warner, PRM, Hurth, Technodrive	4"	4	3	£92.00
910-015	Self change 350HD	8 ¾"	6	43	£564.00
910-016	Self change 700HD	10 ¼"	6	65	849.00
910-017	Twin Disc	7 ¼"	6	40	£564.00
910-018	PRM	7 ¼"	6	40	£564.00
910-019	Volvo	4"	4	3	£92.00
910-020	Volvo	4"	4	5	£92.00
910-021	Enfield, Sonic	4"	2	2.5	£83.00
910-022	Twin Disc	9"	8	65	£874.00
910-024	Twin Disc	10 ½"	8	85	£1055.00
910-025	Borg Warner, PRM, MPM, Twin Disc	5 ¾"	6	28	£322.00
910-026	Twin Disc, MPM	5 ¾"	6	28	£369.00
910-029	Borg Warner, Hurth, Volvo	5"	4	20	£286.00
910-030	120 hp	11 ½"	8	120	£1,621.00
910-052	Lister	4 ¾"	3	10	£210.00
910-057	ZF Hurth/BW	5"	4	25	£370.00

Reduces engine noise and vibration. Simple to install, accepts propeller thrust .
Fail safe design.

Shaft Half Coupling



SOLID TYPE

Specify 'd' diameter	
4" for B.W. Hurth, PRM Bored & Keyed	£298.00
5" for B.W. Hurth, PRM (Taper) Bored & Keyed	£406.00
6" for PRM (Taper) Bored & Keyed	£471.00

CLAMP ON SPLIT TYPE

Specify 'd' diameter	
4" for B.W. Hurth, PRM, Yanmar Bored, 25mm, ¾" or 1"	£98.00
5" for B.W. Hurth, PRM, Yanmar Bored, 1 ¼"	£147.00
4" for B.W. Hurth, PRM, Yanmar Bored other than above	£136.00
5" for B.W. Hurth, PRM, Yanmar Bored other than above	£185.00
6" for P.R.M. Bored	£260.00
4" Volvo type Bored	£136.00
4" Bukh type Bored	£136.00
Keyslot above split type	extra £36.00 net
Non standard bores	extra £36.00 net

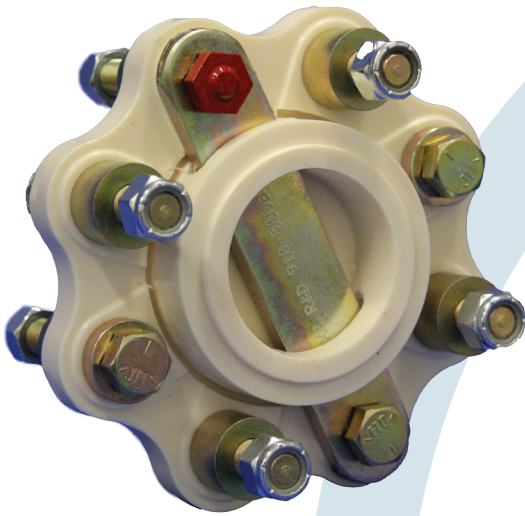
Clamps to give a better fit than solid couplings. Easy to install and position. Made from solid steel.

Note: Not stainless steel, consider painting.

R & D MARINE LTD.

Earthing Connections

Consist of a silver impregnated rubber strip, which when fitted through the axis of the coupling between the two failsafe straps gives electrical continuity.



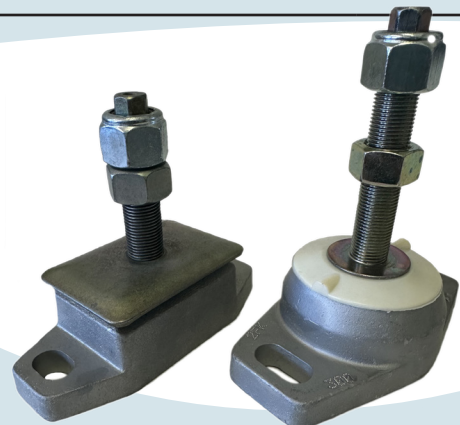
Part No	Size (mm)	To Suit Coupling	Price
103-037	11 x 57	910-001, 002, 007 013, 014, 019 & 020	£19.00
103-039	17 x 57	910-003,006,009,012	£23.00
103-041	23 x 57	910-003,006,009,012	£29.00

Note: Check electrical continuity on instalation and at 3 - 6 month intervals.

Engine Mountings

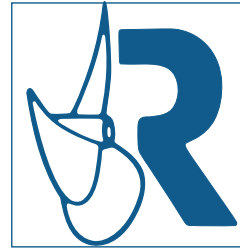
Part No	Size (mm)	Price
300 lbs/140 kg capacity .04"/1 mm deflection	medium, 800-036	£34.00
90 lbs/41 kg capacity .14"/3.5mm deflection	small 800-040	£39.00
200 lbs/91 kg capacity .14"/3.5mm deflection	small 800-041	£39.00
{All 5/8" stud and 4" bolt down ctrs, 2" to 4" height adjustment)		

Other engine mounts available email for prices



RMTA Shaft Seal

Eliche radice S.p.A



**ELICHE
RADICE**

AN ALTERNATIVE TO THE VOLVO SEAL

Grease lubricated and water feed/air vent.

Shaft Dia.	Hose Sizes	Length	Price
Metric			
22mm	39mm	111mm	£85.00
25mm	39 & 42mm	111mm	£85.00
30mm	45 & 48mm	116mm	£92.00
35mm	48 & 54mm	123mm	£112.00
40mm	54 & 60mm	129mm	£152.00
Imperial			
1 inch	42mm	111mm	£85.00
1 ¼ inch	48mm	116mm	£92.00
RADICE Special Silicon Grease - Service item			£8.50



Deep Sea Shaft Seal

SMALL DSS Shaft Seal



MANECRAFT SMALL RANGE Dimensions in mm unless specified otherwise

Seal Size Ref.	Shaft Dia. Range	Stern Tube Outside Dia.	Overall Length	Max. Shaft Speed	Support Ring Req.	Price	
#2	25-30	1" - 1 1/8", 1 1/8"	35-43	131	2950	25-27	£286.00
#3	25-30	1" - 1 1/8", 1 1/8"	43-51	131	2950	25-27	£303.00
#4	30-35	1 1/4" - 1 3/8"	43-51	131	2850	30-32	£320.00
#5	30-35	1 1/4" - 1 3/8"	51 -60	131	2850	30-32	£336.00
#6	35-41	1 3/8" - 1 1/2"	51-60	131	2750	35-38	£353.00
#7	35-41	1 3/8" - 1 1/2"	60-70	131	2750	35-38	£370.00
#8	43-46	1 3/4"	70-80	131	2600	43-46	£387.00
#9	46-51	2"	70-80	131	2600	46-49	£404.00

Note:
Needs water lubrication

Set Sizes:
11, 12, 13, 14, 15,
16 also available.

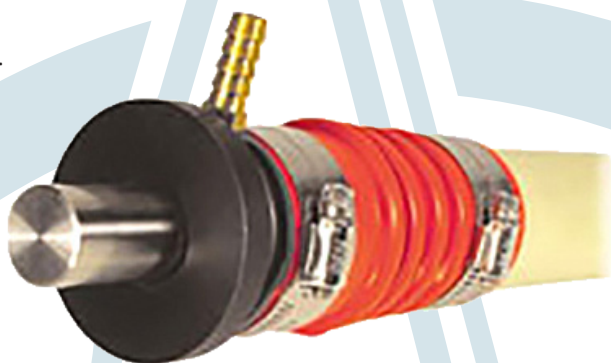
TIDESMARINE

"SERIES ONE"™ Shaft Seal

The simple, no maintenance, easy to fit shaft seal.

- ELIMINATES GLAND PACKING AND GREASING
- ALL YOU NEED IS A SCREWDRIVER TO FIT AND FORGET

SERIESONE™ SHAFT SEAL, consists of a convoluted connecting hose, 4 stainless hoseclips and a one piece composite body with lip seal fitted. All for less than the price of an "old fashioned" packing seal.



Note: Water feed recommended.

SHAFT Diameter	HOSE sizes	Price Each
3/4"	1 1/2", 1 5/8", 1 3/4", 2", 2 1/4"	£209.00
7/8"	1 1/2", 1 5/8", 1 3/4", 2", 2 1/4"	£209.00
1"	1 5/8", 1 1/2", 1 3/4", 2", 2 1/4", 2 1/2"	£209.00
1 1/8"	1 5/8", 1 3/4", 2", 2 1/4", 2 1/2", 2 3/4"	£231.00
1 1/4"	1 1/2", 1 3/4", 2", 2 1/4", 2 1/2", 2 3/4", 3"	£231.00
22mm	1 1/2", 1 5/8", 1 3/4", 2", 2 1/4"	£209.00
25mm	1 1/2", 1 5/8", 1 3/4", 2", 2 1/4", 2 1/2"	£209.00
30mm	1 1/2", 1 5/8", 1 3/4", 2", 2 1/4", 2 1/2", 2 3/4", 3"	£231.00
OPTIONAL - 3/8" Raw water hose, clips and Tee Fitting (Specify 3/8" 1/2" 5/8" or 3/4") from £45.00		

TIDESMARINE

"SURESEAL"™ Shaft Seal



SHAFT Dia.	SURESEAL™ KIT	Price Each
1"	FSK -1000	£294.00
1 ¼"	FSK-1250	£331.00
1 ⅜"	FSK -1375	£352.00
1 ½"	FSK-1500	£479.00
1 ⅝"	FSK- 1625	£488.00
1 ¾"	FSK- 1750	£513.00
2"	FSK-2000	£580.00
2 ¼"	FSK- 2250	£619.00
30mm	FSKM - 30m	£326.00
35mm	FSKM - 35m	£352.00
40mm	FSKM -40m	£479.00
45mm	FSKM -45m	£513.00
50mm	FSKM - 50m	£581.00
55mm	FSKM - 55m	£600.00
60mm	FSKM - 60m	£666.00
65mm	FSKM - 65m	£714.00
70mm	FSKM - ?Orn	£799.00
75mm	FSKM - 75m	£889.00
80mm	FSKM - 80m	£916.00

SPARE SEAL CARRIER	Price Each
KF-1000-00	£79.00
KF-1250-00	£93.00
KF-1375-00	£95.00
K-1500-00	£137.00
K-1625-00	£144.00
K-1750-00	£150.00
KF-2000-01	£176.00
KF-2250-00	£189.00
KFM-30MM-00	£84.00
KF-1375-00	£95.00
KFM-40MM-00	£137.00
KFM-45MM-00	£150.00
KM-50MM-00	£176.00
KM-55MM-00	£190.00
KM-60MM-00	£203.00
KM-65MM-00	£223.00
KF-2750-00	£251.00
KFM-75MM-00	£282.00
KM-80MM-00	£304.00

REPLACEMENT LIP SEAL ONLY	Price Each
LIP SEAL F 1000	£31.00
LIP SEAL F 1250	£35.00
LIP SEAL F 1375	£35.00
LIP SEAL 1500	£41.00
LIP SEAL 1625	£41.00
LIP SEAL 1750	£42.00
LIP SEAL F 2000	£50.00
LIP SEAL F 2250	£50.00
LIP SEAL F 30MM	£35.00
LIP SEAL F 1375	£35.00
LIP SEAL F 40MM	£41.00
LIP SEAL F 45MM	£42.00
LIP SEAL 50MM	£50.00
LIP SEAL 55MM	£50.00
LIP SEAL 60MM	£50.00
LIP SEAL 65MM	£50.00
LIP SEAL F 2750	£70.00
LIP SEAL F 75MM	£70.00
LIP SEAL 80MM	£70.00

Sizes up to 8" 1200mm Shaft diameter, available for SURESEAL™

To order we need to know the shaft diameter and outside diameter of the stern tube

Note: Must be water fed.

All prices are subject to UK VAT.

PSS SHAFT SEAL

All shafts are precision straightened

PSS Shaft Seals

The PSS Shaft Seal uses the highest quality materials and manufacturing procedures to give a drip free performance with zero wear to the propeller shaft and the capability of operating safely up to 500° F.

They require no lubrication other than the water they are working in. Except over 12 knots or a bearing inboard.

A fitting is provided on the carbon flange to accept a feed from the engine's water exhaust to assist cooling.

Features:

- Dripless operation
- Maintenance free
- Eliminates shaft wear
- No mess or corrosion
- ABS approved
- Over 100,000 in successful operation
- Suitable for leisure & commercial craft
- Unaffected by engine movement or vibration
- Metric & imperial sizes for shafts from 20mm - ¾" to 100mm - 4"
- The carbon/graphite flanges & rotor should never need replacing under normal operating conditions.

Shaft Dia.	Standard Stern Tubes Diameter)	Compressed Length Approx.	With water fitting as standard
¾", 7/8" 20mm, 22mm	1 ¼", 1 ½", 1 ¾", 2" 2 ¼"	6 ¼"	£323.00
1", 1 ⅛" 25mm, 28mm, 30mm	1 ¼", 1 ½", 1 ¾", 2" 2 ¼"	6 ¼"	£336.00
1 ¼", 1 ⅜" 32mm, 35mm	1 ¾", 2", 2 ¼" 2 ½"	6 ½"	£426.00
1 ½" 40mm	2", 2 ¼", 2 ½", 2 ¾" 3", 3 ¼", 3 ½"	8 ½"	£555.00
1 ¾" 45mm	2 ¼", 2 ½", 2 ¾" 3", 3 ¼", 3 ½"	8 ½"	£599.00
2" 50mm, 55mm	2 ¼", 2 ½", 2 ¾" 3", 3 ¼", 3 ½"	8 ½"	£736.00
2 ¼", 2 ½" 60mm, 65mm	3 ¼", 3 ½", 3 ¾", 4"	8 ¾"	£828.00
2 ¾" 70mm	4 ¼", 4 ¾"	9 ½"	£1101.00
3" 75mm	4", 4 ¼", 4 ½", 5"	9 ½"	£1194.00



Note:

Pro Seal also available with upgraded reinforced silicon hose and retaining clamp collar.

'O' Ring Kits - £8 .50

PSS Seal Shaft Seals



Technical Specifications:

High Density Carbon Graphite Flange

Once installed and operational the carbon/graphite face will polish the stainless steel rotor during the initial first few minutes of operation ensuring a perfect fit thus eliminating any drips or spray.

The ultra dense carbon/graphite composite has a maximum operating temperature of 500° F, guarding against failure by over heating as can occur on rubber and plastic based seals.

Stainless Steel Rotor

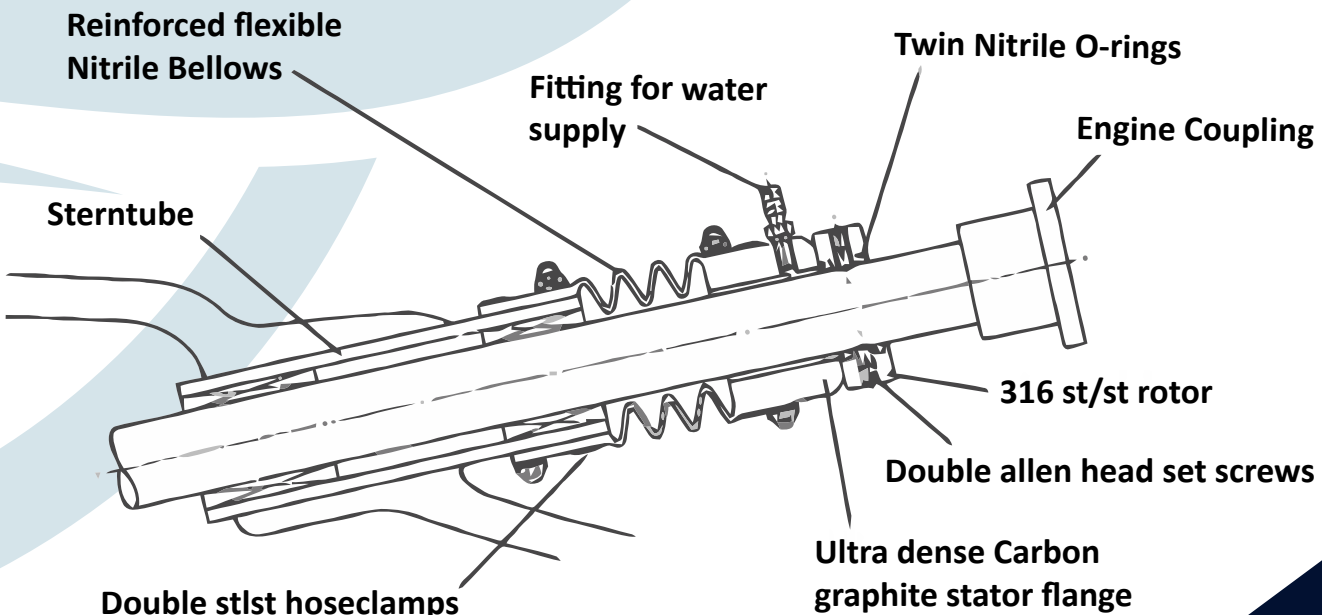
The one-piece, 316 grade stainless steel rotor is secured to the propeller shaft with double set screws. The twin nitrile 'O' rings are stationary and do not wear.

Reinforced Bellows

The heavy reinforced nitrile bellows are resistant to petroleum based products and retain their preset dimensions. They provide the best combination of durability, strength and elasticity.

The Principle

The seal is created by contact of the carbon face against the rotating stainless steel rotor. A hydrodynamic bead of water between the carbon seal and rotor provides lubrication. The carbon seal and rotor provides lubrication. The carbon seal and bellows assembly is fitted to the stern tube by twin stainless hose clamps. Contact with the rotor is assisted by water pressure which helps to cool the assembly. Seal contact is unaffected by engine laterally or fore and aft. They provide the best combination of durability, strength and elasticity.



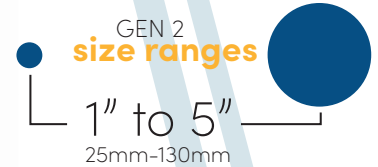
Lasdrop shaft-seals

Gen 2 Shaft Seal

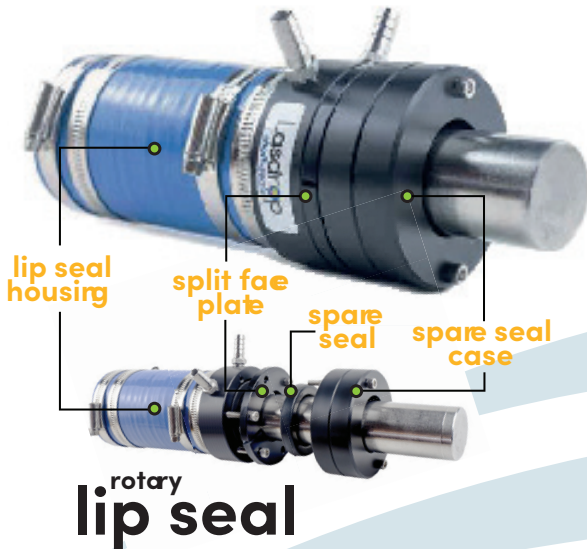


Mechanical Face Seal

A proven commercial grade mechanical face seal with stainless steel pressure housing rotating against the carbon friction housing surface providing dripless operation resulting in no shaft wear or damage.



EliteSeal



Rotary Lip Seal

A simple replacement to a traditional stuffing box, our rotary lip seal design offers dripless reliability. All EliteSeal models includes 1 spare lip seal (with available room for 2 seals) inside the spare seal case; serviceable without removing the propeller shaft courtesy of our innovative split face plate.

Product	Price
Gen 2 Shaft Seal	Email for Prices
Elite Seal	Email for Prices
Dry Seal	Email for Prices
Accessories	Email for Prices

DESIGNED &
MANUFACTURED
IN THE USA



Lasdrop shaft-seals

Gen² Shaft Seal Lasdrop shaft-seals



Dry Seal

Built on the proven technology of our EliteSeal design, the DrySeal is an economical replacement to a traditional stuffing box. This simplified rotary lip seal design offers dripless reliability, space-saving size, and can be used with rudder shaft applications.

Dry Seal Lasdrop shaft-seals

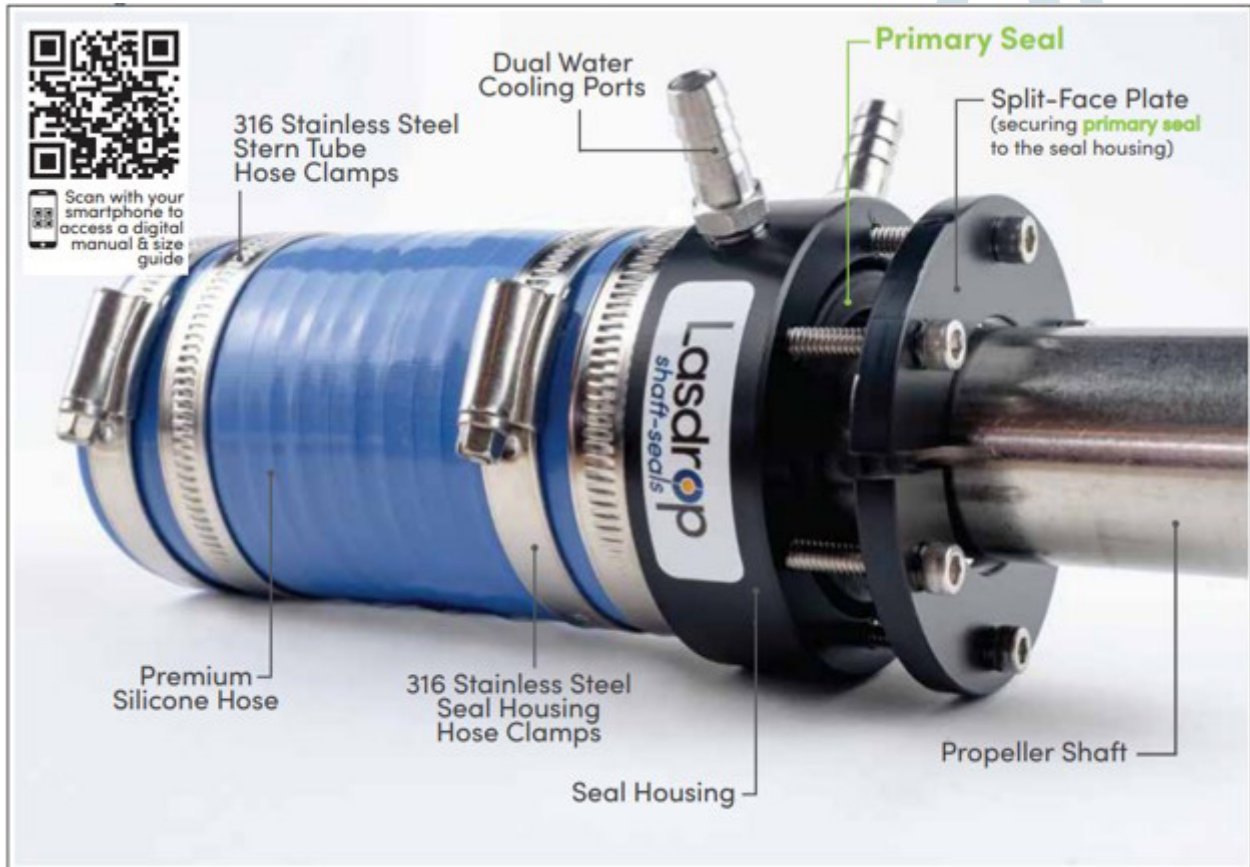


Lasdrop Shaft Seals

Dry Seal (Lip Seal)

Lasdrop

shaft-seals



Shaft Dia. (Imperial)	Price
3/4	£202.00
7/8	£202.00
1"	£208.00
1 1/8"	£249.00
1 1/4"	£275.00
1 3/8"	£302.00
1 1/2"	£308.00
1 3/4"	£368.00
2"	£426.00
2 1/4"	£468.00

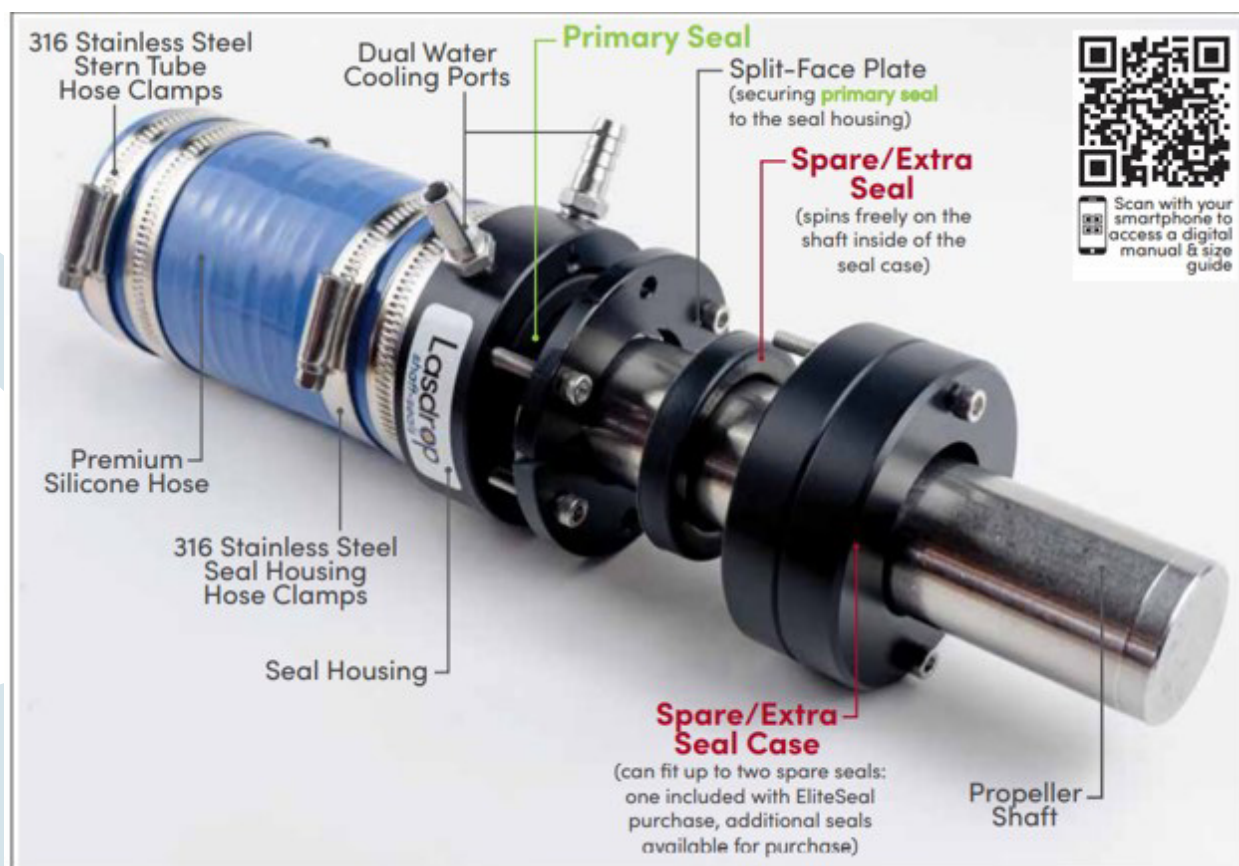
Note:
Oversized Bellows Extra.

Shaft Dia. (Metric)	Price
20mm	£202.00
22mm	£202.00
25mm	£208.00
30mm	£249.00
35mm	£302.00
40mm	£299.00
45mm	£368.00
50mm	£426.00
55mm	£453.00
60mm	£505.00

Note:
Stern Tub Dia. Required

Lasdrop Shaft Seals

Elite Seal (Lip Seal)



Shaft Dia. (Imperial)	Price
3/4	£260.00
7/8	£260.00
1"	£267.00
1 1/8"	£321.00
1 1/4"	£353.00
1 3/8"	£385.00
1 1/2"	£396.00
1 3/4"	£474.00
2"	£548.00
2 1/4"	£602.00

Note:
Oversized Bellows Extra.

Shaft Dia. (Metric)	Price
20mm	£260.00
22mm	£260.00
25mm	£267.00
30mm	£321.00
35mm	£385.00
40mm	£389.00
45mm	£474.00
50mm	£548.00
55mm	£584.00
60mm	£649.00

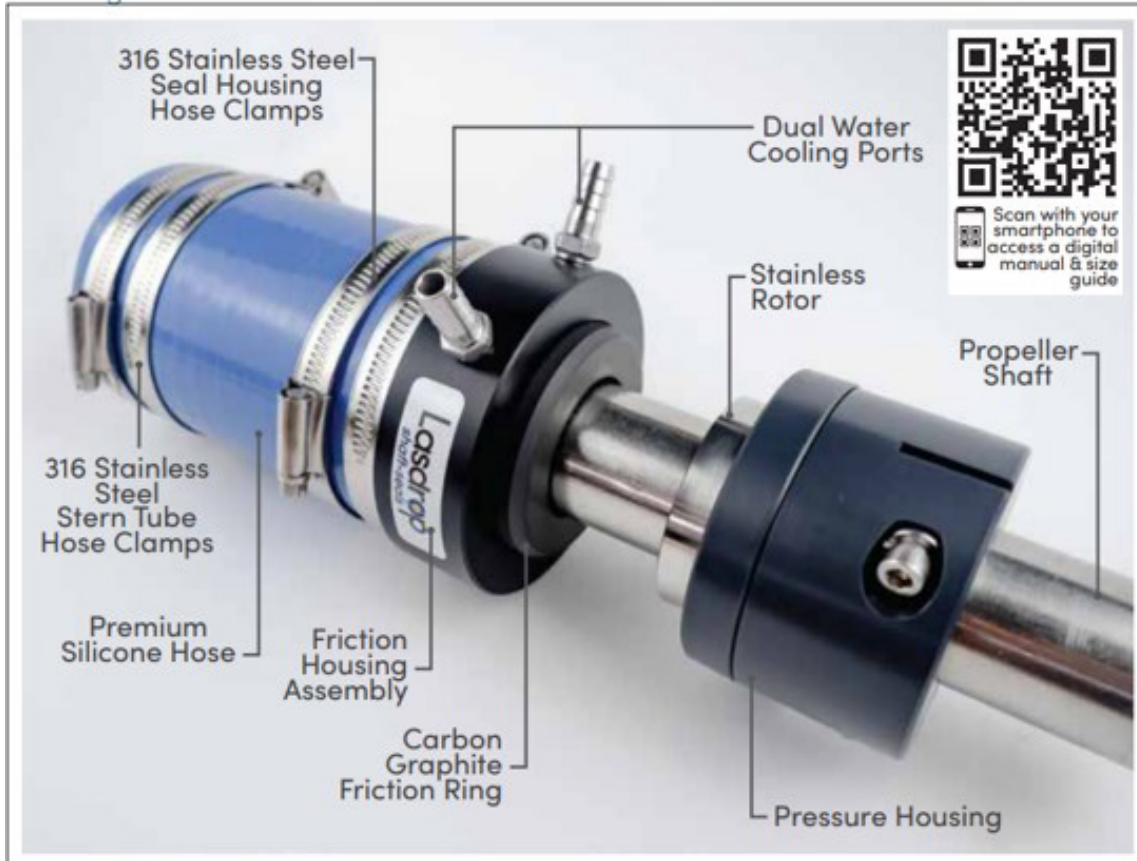
Note:
Stern Tub Dia. Required

Lasdrop Shaft Seals

GEN 2 Seal (Face Seal)

Lasdrop

shaft-seals



Shaft Dia. (Imperial)	Price
1"	£411.00
1 1/8"	£409.00
1 1/4"	£422.00
1 3/8"	£436.00
1 1/2"	£485.00
1 3/4"	£602.00
2"	£664.00
2 1/4"	£764.00

Note:
Oversized Bellows Extra.

Shaft Dia. (Metric)	Price
25mm	£411.00
30mm	£409.00
35mm	£436.00
40mm	£521.00
45mm	£602.00
50mm	£664.00
55mm	£681.00
60mm	£794.00

Note:
Stern Tub Dia. Required

The Leading Disc Type Rope Cutter

Please Note:

Not all Extra Large cutters are carried in stock, please allow 3to 4weeks for delivery.

All Prop Protectors are made by British craftsmen from the finest quality marine grade stainless steel to BS970-316-S31. Each unit is supplied with A4 quality stainless steel fasteners, Allen key wrenches, thread locking compound, safety warning labels and fitting instructions.

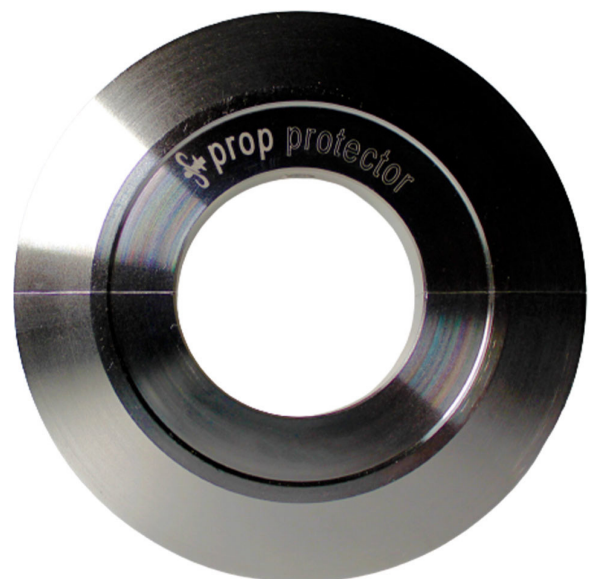
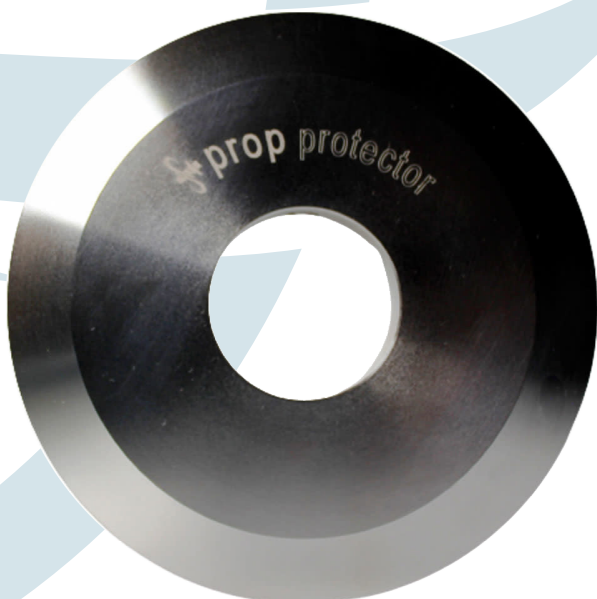
UNDERWATER INSTALLATION

One of the unique features of Prop Protectors is that they can be installed with the vessel afloat. However, the screwlock supplied with each cutter is intended only for use with the vessel out of the water as screwlock will not cure under water.

Owners wishing to carry out an underwater installation should not use the fasteners or screwlock supplied but should order our special self-locking fasteners that we supply specifically for this purpose.

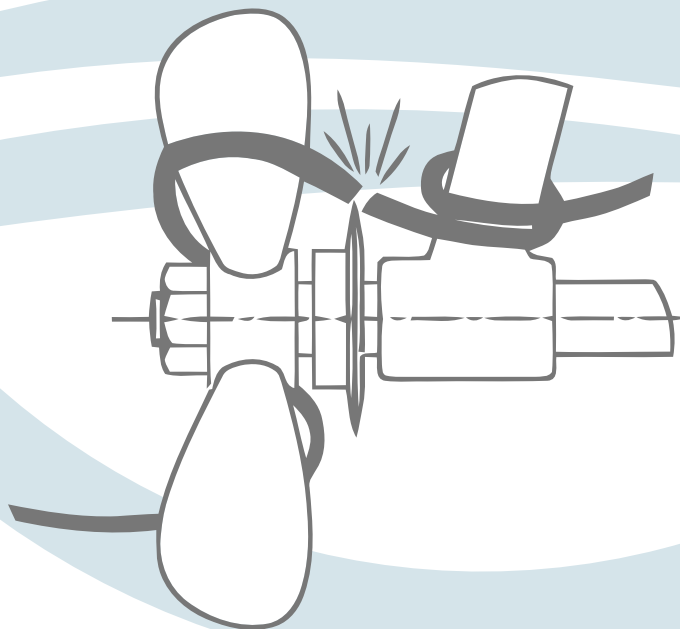
These are available as an optional extra and prices are as follows:

- For all Slide-On cutters a single set screw is required for which the cost is £2.00
- For Standard Clamp-On cutters, one setscrew and two cap head screws are required for which the cost is £8.00
- For all Extra-Large Clamp-On cutters, one setscrew and two cap head screws are required for which the cost is £12.00



The Leading Disc Type Rope Cutter

Unit Type & Price	For Shaft Diameters (ALL EXACT SIZES)	Blade Dia.	Unit Width	Min Gap Required
SLIDE-ON - £98.00	20mm, 22mm, 25mm, 30mm ¾", ⅞", 1", 1⅛", 1¼"	80mm 3.15"	12mm 0.47"	18mm 0.7"
SLIDE-ON - £104.00	30mm, 35mm, 40mm 1 ¼", 1 ⅜", 1 ½", 1 ⅝"	100mm 3.9"	12mm 0.47"	18mm 0.7"
SLIDE-ON - £119.00	45mm, 50mm 1 ¾", 1 ⅞", 2"	120mm 4.7"	12mm 0.47"	18mm 0.7"
CLAMP-ON - £128.00	20mm, 22mm, 25mm, 30mm ¾", ⅞", 1"	80mm 3.15"	17mm 0.47"	23mm 0.7"
CLAMP-ON - £132.00	30mm 1 ⅛", 1 ¼"	85mm 3.35"	17mm 0.67"	23mm 0.9"
CLAMP-ON - £145.00	35mm, 40mm 1 ⅜", 1 ½", 1 ⅝"	95mm 3.74"	17mm 0.67"	23mm 0.9"
CLAMP-ON - £151.00	45mm, 50mm 1 ¾", 1 ⅞", 2"	105mm 4.1"	17mm 0.67"	23mm 0.9"
CLAMP-ON SPECIAL - £163.00	45mm, 50mm 1 ¾", 2"	127mm 5.00"	17mm 0.67"	23mm 0.9"
CLAMP-ON - £163.00	55mm, 60mm 2 ¼", 2 ½"	116mm 4.5"	22mm 0.87"	32mm 1.26"
CLAMP-ON EXTRA LARGE - £253.00	45mm, 50mm, 55mm, 60mm 1 ½", 1 ¾", 2", 2 ¼", 2 ½"	150mm 6"	30mm 1.18"	42mm 1.65"
CLAMP-ON EXTRA LARGE - £441.00	65mm, 80mm, 85mm, 90mm, 100mm 2 ¾", 3", 3 ¼", 3 ⅜", 3 ½", 4"	190mm 7.4"	33mm 1.3"	45mm 1.77"





Saildrive Rope Cutter for Gori 2 & 3 Blade Folding Propeller

Also suits 2 & 3 Blade Fixed Aluminium Propellers

No propeller modification needed.

HydroAxe

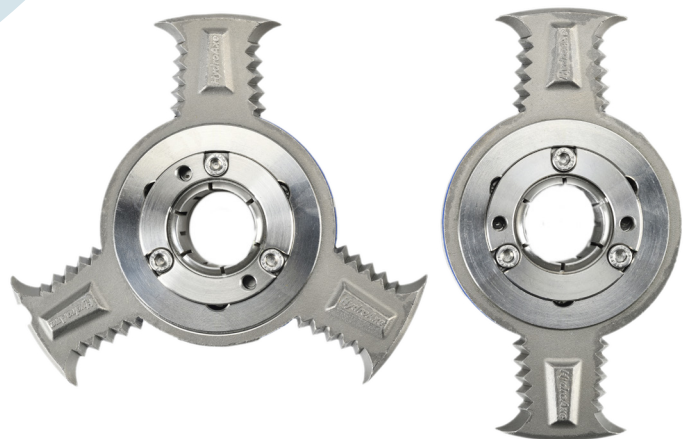
HydroAxe	Blade No.	Price (ex VAT)
Volvo Penta 120S / MS25	2B	£597.00
Volvo Penta 120S / MS25	3B	£647.00
Volvo Penta 130S / 150S	2B	£647.00
Volvo Penta 130S / 150S	3B	£697.00
Yanmar SD20 / SD31 / SD40 / SD50 / SD60	2B	£647.00
Yanmar SD20 / SD31 / SD40 / SD50 / SD60	3B	£697.00
Beta Seaprop 60	2B	£647.00
Beta Seaprop 60	3B	£697.00

Price Includes:

Hydroaxe split anode kit (ALU or ZINC)

Saildrive Specific Spacers

HydroAxe	Price (ex VAT)
HydroAxe split anode (ALU or ZINC) (Including all fixings)	£59.00
HydroAxe service kit (Including bolts / bushes / loctite)	£46.00
Special prop nut / fitment kit (Including centre bolt / split pin)	£45.00
HydroAxe 3B fixed shaft drive cutter	£258.00



ENQUIRY form for new or replacement propeller

Please remember that any incorrect information you supply is likely to result in an incorrect propeller being specified, for which we cannot be responsible. Remember to advise us if you have a saildrive. Any size we advise is an opinion only and subject to trials and developments at the purchasers cost.

Please advise any restrictions to good water flow around the propeller. i.e. behind a wide keel, in an aperture, shaft to one side of keel, etc. and any factors limiting diameter, by specifying dimension from centre line of the propeller shaft at the point where the propeller fits, to the under side of the hull, or closest point of the aperture. For folding propellers, please advise distance available astern from large end of taper. When rudder is fitted close to propeller, or in an aperture.

Name: Phone:
 Address: Mobile:
 Email:
 Type of propeller required:..... Fax:

Sailboat Displacement Half Planing Planing

Waterline length: Beam: Draft:
 Displacement: Displacement w/ful tanks:
 Previously recorded top speed: Number of engines:

Engine Data:

Manufacturer: Type: Year:
 Horsepower: Max RPM:
 Reduction in gearbox:

Present Propeller:

Diameter: Pitch: Number of blades:
 Max RPM with present propeller: Max. Speed:
 Direction of rotation seen from rear: Clockwise Counter clockwise

Notes:





Sillette Marine

2025



Contact Details

Sillette Sonic Ltd
Unit 5 , Stepnell Reach,
541 Blandford Road,
Hamworthy, Poole,
BH16 5BW,

+44 (0) 1202 621631
sales@sillette.co.uk

